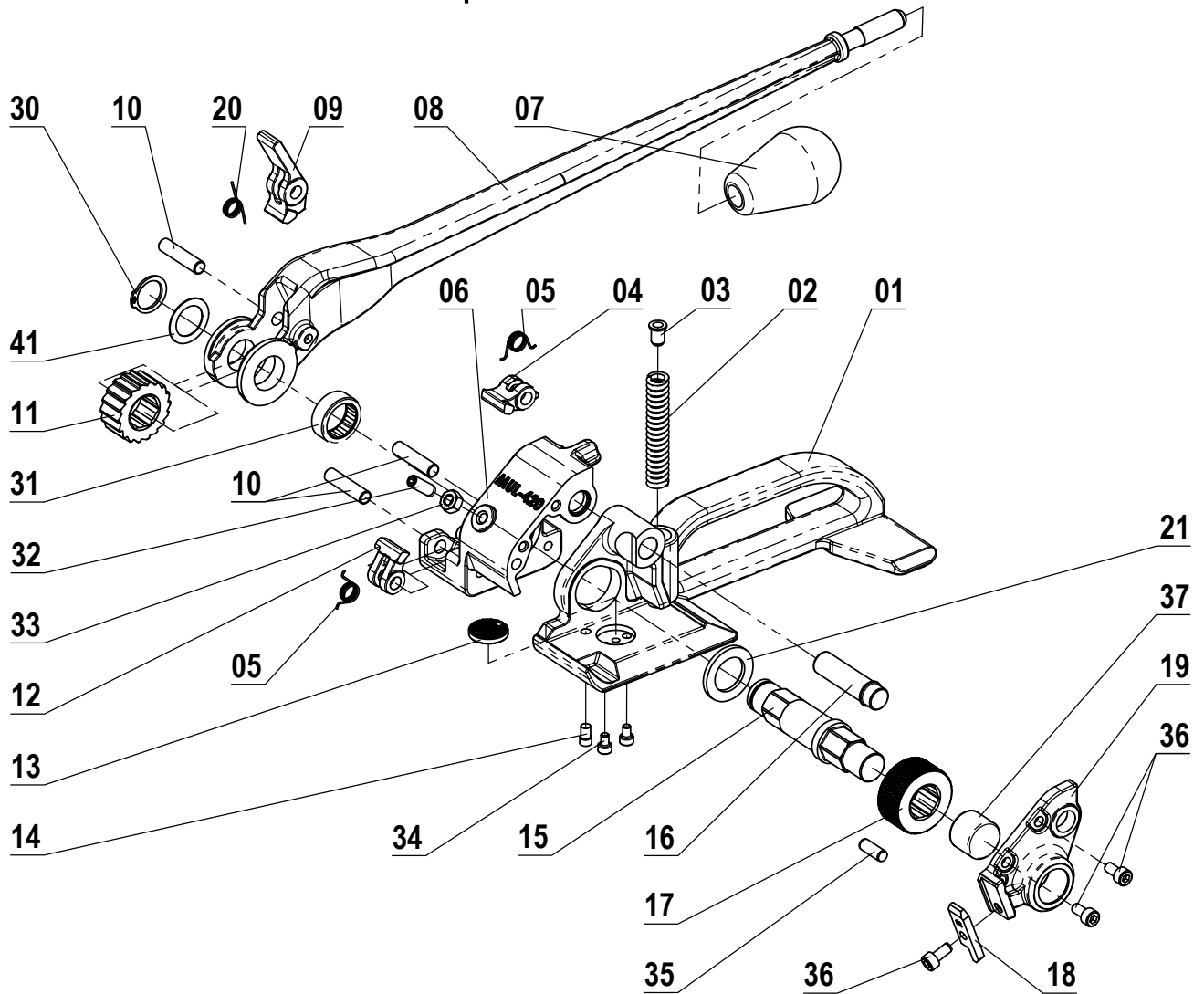


MUL-420

Heavy Duty Steel

Feedwheel Tensioner up to 1 1/4"



No	KEYNo	DESCRIPTION	QTY.	No	KEYNo	DESCRIPTION	QTY.
01	420-01	BASE	1	16	420-16	FEED WHEEL SUPPORT SHAFT	1
02	420-02	FEED WHEEL SUPPORT SPRING	1	17	420-17	FEED WHEEL	1
03	420-03	SPRING BUSHING	1	18	420-18	STRAP GUIDE 19-32	1
04	420-04	RETAINING PAWL REAR	1	19	420-19	COVER	1
05	420-05	RETAINING PAWL SPRING	2	20	420-20	PAWL SPRING	1
06	420-06	FRAME	1	21	420-21	WASHER	1
07	420-07	KNOB	1	30	420-30	RETAINING RING 17	1
08	420-08	TENSION HANDLE	1	31	420-31	BEARING LARGE	1
09	420-09	TENSION PAWL	1	32	420-32	ADJUSTMENT SCREW M6x16	1
10	420-10	PIN	3	33	420-33	NUT M6	1
11	420-11	RATCHET WHEEL	1	34	420-34	SCREW M4x6	2
12	420-12	RETAINING PAWL FRONT	1	35	420-35	DOWEL PIN 6x16	1
13	420-13	CLUTCH PLUG	1	36	420-36	SCREW M5x10	3
14	420-14	GUIDE SCREW	1	37	420-37	BEARING SMALL	1
15	420-15	FEED WHEEL SHAFT	1	41	420-41	WASHER	1