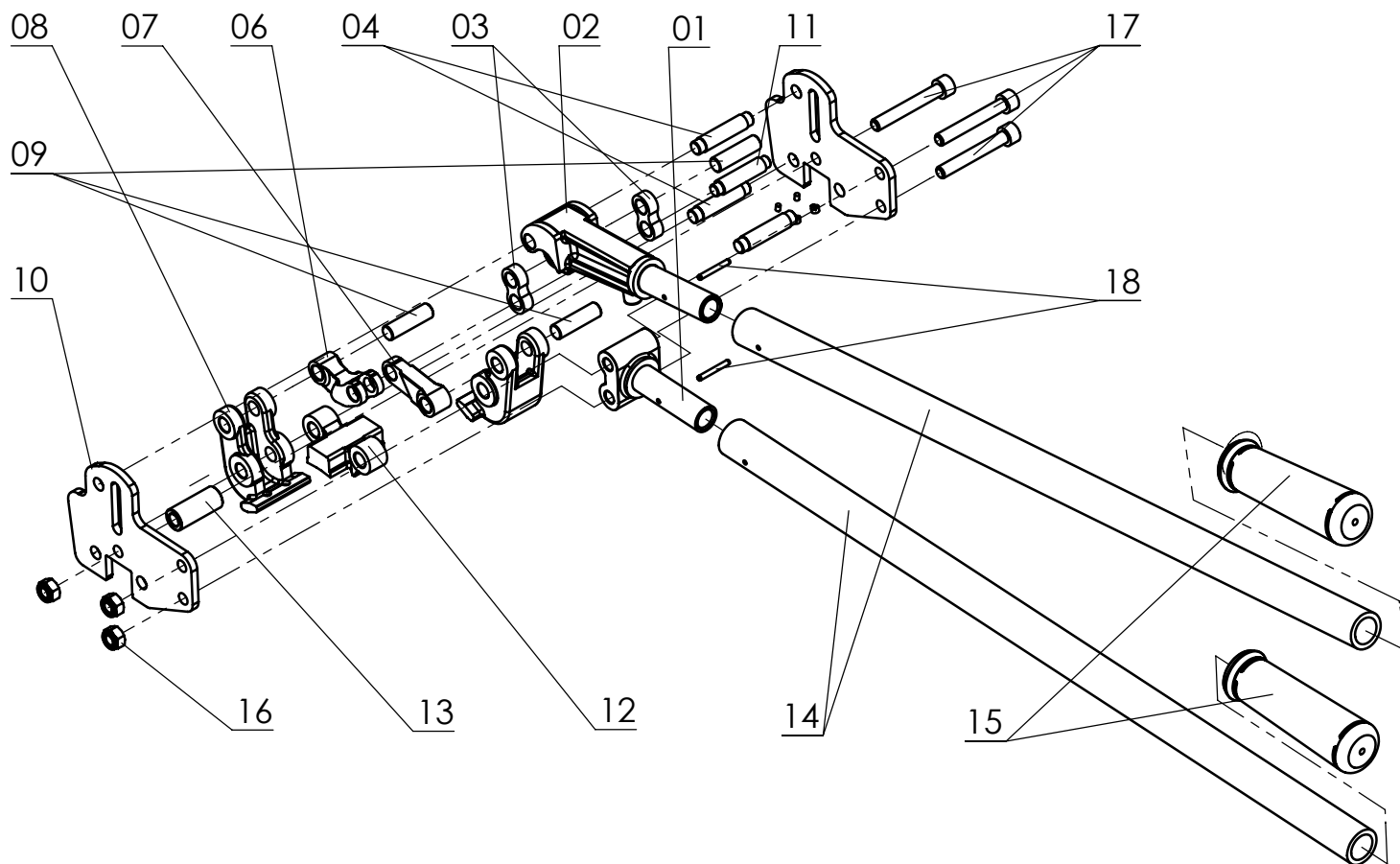


MUL-380

Heavy Duty 3/4" PET Sealer



No	KEY No	DESCRIPTION	QUANTITY
01	380-01	STILL HANDLE HEAD	1
02	380-02	MOVING HANDLE HEAD	1
03	380-03	ARM	2
04	380-04	ANVIL PIN	3
06	380-06	FRONT LINK	1
07	380-07	REAR LINK	1
08	380-08	JAW	2
09	380-09	JAW PIN	3
10	380-10	PLATE	2
11	380-11	SLIDE PIN	1
12	380-12	ANVIL	1
13	380-13	SPACER	1
14	380-14	HANDLE LEVER	2
15	380-15	HANDLE GRIP	2
16	380-16	NUT M8	3
17	380-17	SCREW M8x55	3
18	380-18	SPRING PIN	2

MUL-380 PART LIST

Heavy Duty 3/4" PET Sealer

No	KEY No	PART DESCRIPTION	QTY.
01	380-01	STILL HANDLE HEAD	1
02	380-02	MOVING HANDLE HEAD	1
03	380-03	ARM	2
04	380-04	ANVIL PIN	3
06	380-06	FRONT LINK	1
07	380-07	REAR LINK	1
08	380-08	JAW	2
09	380-09	JAW PIN	3
10	380-10	PLATE	2
11	380-11	SLIDE PIN	1
12	380-12	ANVIL	1
13	380-13	SPACER	1
14	380-14	HANDLE LEVER	2
15	380-15	HANDLE GRIP	2
16	380-16	NUT M8	3
17	380-17	SCREW M8x55	3
18	380-18	SPRING PIN	2