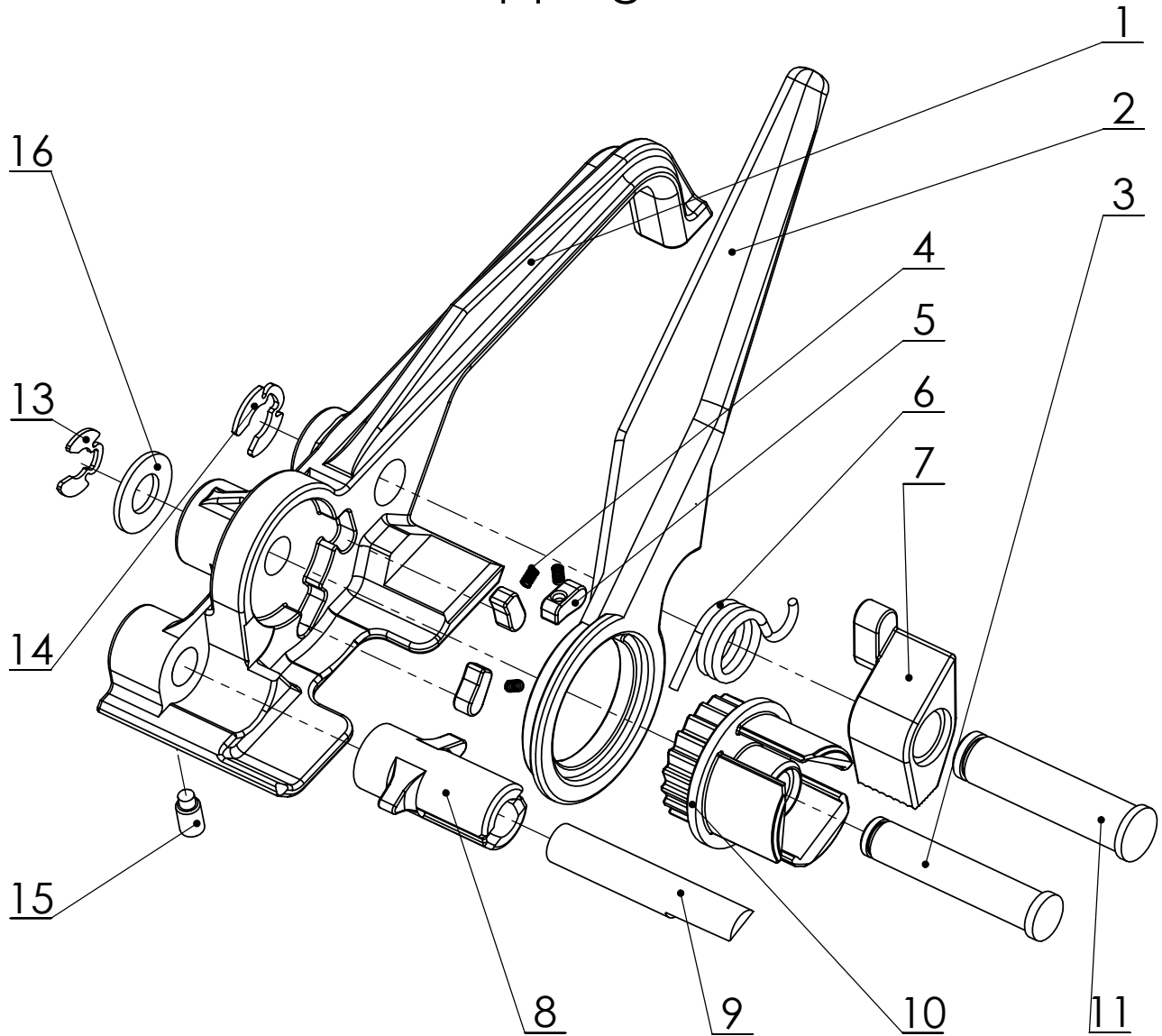


MUL-360

Plastic Strapping Tensioner



No.	KEY No.	PART DESCRIPTION	QTY.	No.	KEY No.	PART DESCRIPTION	QTY.
1	360-01	FRAME	1	9	360-09	CUTTER	1
2	360-02	HANDLE	1	10	360-10	WINDLASS	1
3	360-03	SHAFT	1	11	360-11	GRIPPER SHAFT	1
4	360-04	PAWL SPRING	3	13	360-13	CLIP RING 10	1
5	360-05	PAWL	3	14	360-14	CLIP RING 12	1
6	360-06	MAIN SPRING	1	15	360-15	SET SCREW M6x12 DOG POINT	1
7	360-07	GRIPPER	1	16	360-16	WASHER 3/8	1
8	360-08	PIVOTED CUTTER	1				