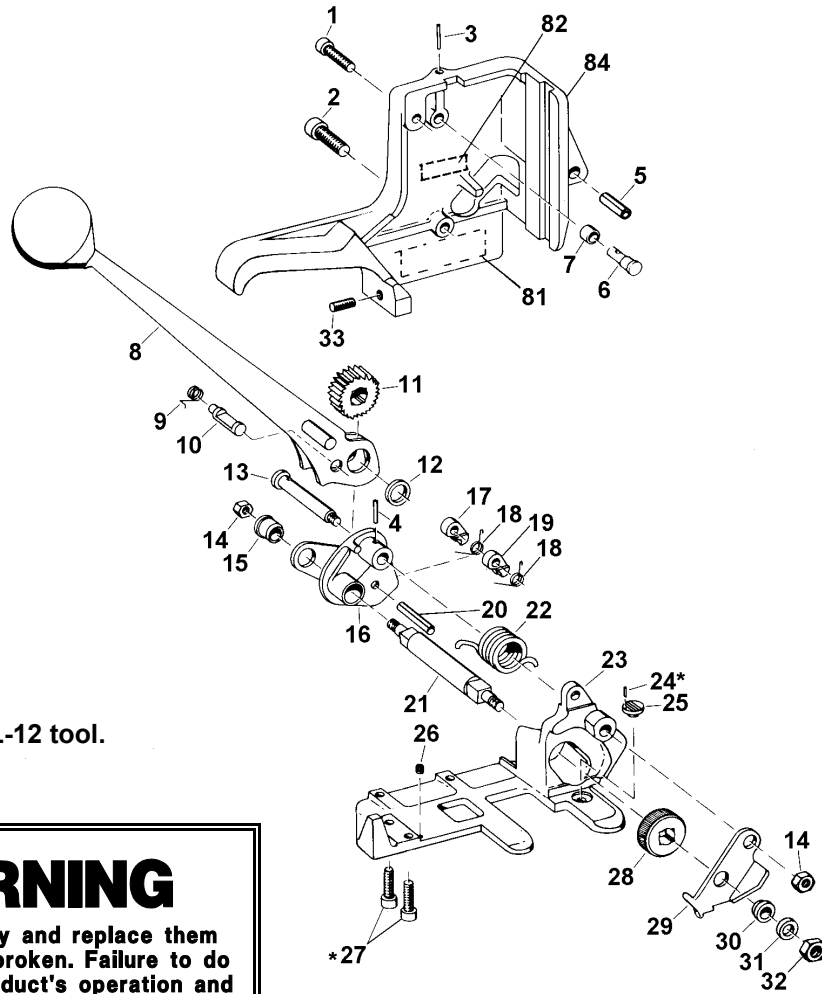


PARTS LIST

KEY	QTY.	PART #	DESCRIPTION	KEY	QTY.	PART #	DESCRIPTION
1	1	009041	SHCS, 1/4-20 x 3/4	44	1	006787	Roll pin, 3/16 x 1
2	1	008845	SHCS, 5/16-18 x 7/8	45	1	023347	Ejector arm spring
3	3	005197	Roll pin, 5/32 x 11/16	46	1	023343	Ejector lever
4	1	007631	Roll pin, 1/8 x 5/8	47	1	023348	Ejector spring
5	1	006667	Roll pin, 5/16 x 7/8	48	1	023344	Ejector
6	1	023337	Roller pin	49	1	014782	Truarc, #5133-18
7	1	023336	Cam roller	50	1	023346	Ejector pin
8	1	023317	Tensioner handle assembly	51	1	008148	Roll pin, 1/8 x 7/16
9	1	023316	Drive pawl spring	52	1	023365	Cutter block, AL-38
10	1	023314	Driving pawl	53	1	023364	Cutter block, AL-12
11	1	023309	Ratchet gear	54	1	020662	Strap latch support
12	1	023356	Thrust washer	55	1	023349	Strap latch pin
13	1	023381	Support shaft	56	2	009042	Strap latch
14	2	004526	Lock nut, 1/4-28	57	1	023355	SHCS, 1/4-20 X 1
15	1	023307	Gear housing bushing	58	2	023330	Holding gripper
16	1	023379	Gear housing	59	1	023389	Cutter blade pin
17	1	023312	Long holding pawl	60	1	023323	Cutter blade, AL-38
18	2	023311	Holding pawl spring	60	4	023359	Cutter blade, AL-12
19	1	023313	Short holding pawl	61	4	023321	Outer jaw, AL-38
20	1	010023	Roll pin, 1/4 x 1	61	2	023332	Outer jaw, AL-12
21	1	023308	Feedwheel shaft	62	2	023361	Notcher, AL-38
22	1	023315	Gear housing spring	62	2	023328	Notcher, AL-12
23	1	023367	Tensioner frame, AL-38	63	2	023329	Flat toggle link
	1	023366	Tensioner frame, AL-12	64	2	023360	Toggle link
24*	2	008624	Roll pin, 1/8 x 1/4, AL-38	64	4	023360	Center jaw, AL-38
	1	008624	Roll pin, 1/8 x 1/4, AL-12	65	4	023322	Center jaw, AL-12
25	1	023303	Gripper plug	65	2	023324	Notcher pin
26	1	023353	Strap latch spring	66	2	023326	Toggle link pin
27	2	009053	SHCS, 1/4-20 x 5/8	67	2	023325	Jaw pin
28	1	023304	Feedwheel	68	1	023320	Sealer plate, AL-38
29	1	023302	Side plate, AL-38	69	1	023319	Sealer plate, AL-12
	1	023301	Side plate, AL-12	70	1	006924	Roll pin, 3/16 x 7/16
30	1	024444	Guide bushing	71	1	023335	Cam
31	1	008428	Feedwheel shaft washer	72	1	023331	Sealer pinion
32	1	008409	L.H. hex nut, 1/4-28	73	1	023327	Toggle pin
33	1	023352	Set screw, 1/4-20 x 1/2	74	1	023334	Rack
34	1	023374	Gripper trigger	75	2	004500	Steel ball, 1/4 dia.
35	1	023354	Gripper lever	76	1	004485	Rack lock spring
36	1	023371	Gripper spring	77	1	023318	Jaw support
37	1	005211	Flexloc nut, 5/16-18	79	1	023339	Sealer handle ass'y.
38	1	023376	Seal pad assembly	79	1	257669	Magazine cap
39	1	020640	Magazine spring	80	2	004998	Roll pin, 3/32 x 3/8
40*	2	004939	Drive screw, #2 x 3/16	81	1	171639	Nameplate, AL-38
41	1	023375	Magazine, AL-38	81	1	171638	Nameplate, AL-12
	1	023363	Magazine, AL-12	82	1	003132	Warning sign
42	1	023345	Ejector arm pin	84	1	023368	Sealer frame
43	2	005054	Truarc, #5100-31				

- When ordering parts, please show model, part number and description.
- Standard hardware parts may be obtained at any local hardware supply.
- Recommended spare parts are underlined and should be stocked.



* Use Loctite #242.

** Not required for AL-12 tool.

WARNING
 Inspect all parts daily and replace them if they are worn or broken. Failure to do this can affect a product's operation and could result in serious personal injury.

