

JET3



Spare Parts and Accessories Catalog

Version 2.0 (27.03.2013)

LEIBINGER
INK-JET

Update-journal

Updates in the current version (version 2.0)

Date	Updates	Page
28.02.13	Added: Connecting port	37
27.03.13	Delete: Connecting port	37

Overview of previous updates (last 5 catalog versions)

Version	Date	Updates	Page
1.11	06.02.13	Added: Quick release for head bracket	14
1.11	05.02.13	Added: Head mounting device Delete: Shaft encoder	8 9
1.11	07.11.12	Changed: Part number of Steering device for LJ3 pigmented	32
1.11	23.10.12	Added: Service Kit for plastic pressure tanks Added: Part numbers for WinJet Changed: Part number of Controller, Controller IP65 and Display	19 20 22
1.11	26.03.12	Added: Controller E55-005696 S (JET3+) und E55-004685 S (JET3) Added: ESD-Filter	22 11
1.11	08.02.12	Added: Pressure tank plastic cpl. without pressure sensor	31
1.10	04.05.11	Changed: Article-No. 16 mm lens JETvisio Added: Print head mounting device „Park-Position“ Added: Mains cable with english plug Added: JETmotion Added: JETedit3	55 11 23 6 20
1.9	11.01.11	Added: Print head cover for maintenance	46
1.9	05.11.10	Added: Connection cable viscosimeter IP54, IP65 Added: Y-Connection cable IP65	30 30
1.8	07.10.10	Added: JETvisio options, accessories and spare parts	6, 52
1.7	30.08.10	Added: Article-no. Service kits pigmented printers Added: Article-no. main filter pigmented printers Added: Gutter / Suction tube Added: Electrode block and nozzle for 35µ, 40µ Added: Nozzle plate 35µ, 40µ	19 35 34 41 43
1.6	22.04.10	Added: Diaphragm for compressor 55-004926K Added: Tools	25 48

Options	4
Camera / JETvisio	6
JETmotion	6
Attachment JETvisio	54
Shaft encoder with accessories	7
Product sensor	9
Plug / electronic accessories	11
Head mounting and product slaving with accessories	12
Devices stand	15
Signal lamps	15
Connector cable	16
Cleaning / maintenance	17
Software	20
Spare parts hydraulic electronic	22
Electronic	22
Spare parts hydraulic mechanic	26
Pumps	26
Valves	29
Div. parts for hydraulic	31
Tubes and accessories	34
Filter	37
Tanks	38
Print head	40
Tools	48
Other accessories	52
Index	58

Options



Part-number	Description
O55-004540 S	Option: Umbilical cpl. 6m, extruded
O55-004550 S	Option: Umbilical cpl. 10m, extruded
O55-004560 S	Option: Umbilical cpl. 3m 90°, extruded
O55-004570 S	Option: Umbilical cpl. 6m 90°, extruded
O55-004580 S	Option: Umbilical cpl. 10m 90°, extruded



Part-number	Description
O55-004473 S	Option: Head ventilation for LJ3



Part-number	Description
O55-004664 S	Option: External head ventilation LJ3



Part-number	Description
O55-004551 S	Option: LJ3-cabinet with interface module for print-go and encoder

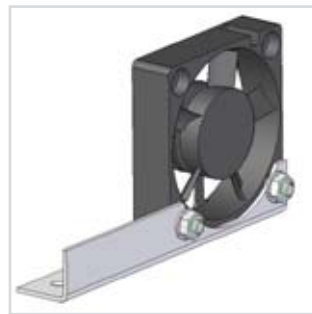
Notice: No upgrade available

Adaptable connector cable: No. 54-002558 S, 54-002557 S

Description	Part-number
Option: ECOsolv / solvent recycling system LJ3	O55-004506 S



Description	Part-number
Option: Fan electronic cabinet for hot environment	O55-004697 S



Description	Part-number
Option: Print head cpl. for print head SK4, 96 kHz, with umbilical sideways, 3m	O55-004904 S



Camera / JETvisio



Part-number	Description
31100-00003	Standard JETvisio camera system

Further accessories for the camera system are listed in the attachment „JETvisio“ see page 56

JETmotion



Part-number	Description
55-005327 SA	JETmotion3 600 mm for JET3 series printers
55-005362 S	JETmotion2 600 mm for JET2SE series printers
O55-005358 S	Option length extension per 100 millimeters
O55-005359 S	Option stainless guide rails per started 1000 millimeters
O55-005360 S	Option cart with ball bearings instead of slide

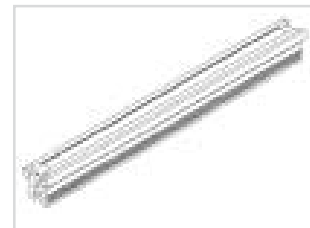


Part-number	Description
55-005361 S	Key button „two hand operation“

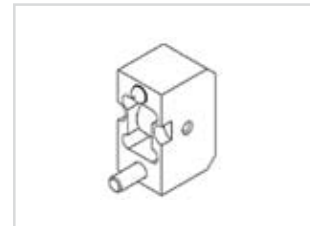
Description	Part-number
Pedal switch	55-005343 S



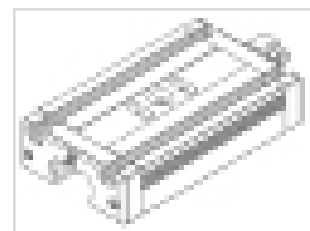
Description	Part-number
Linear guide	E55-005851 S

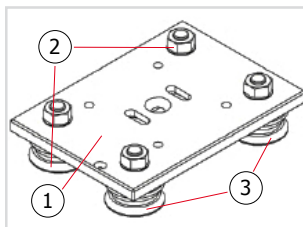


Description	Part-number
Deflector	E55-005852 S



Description	Part-number
Slider, standard	E55-005854 S

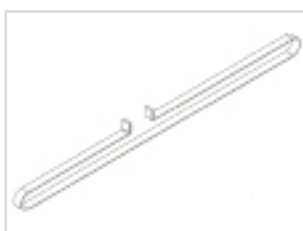




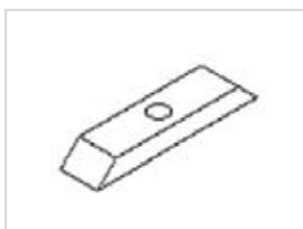
Pos.	Part-number	Description
1	E55-005860 S	Card with ball bearing
2	E55-005861 S	Ball bearing, concentric
3	E55-005862 S	Ball bearing, eccentric



Part-number	Description
E55-005114 S	Head mounting device



Part-number	Description
E55-005856 S	Drive belt



Part-number	Description
E55-005855 S	Clamp

Shaft encoder with accessories

Description	Part-number
Shaft encoder 10.000 pulses/revolut. with cable 6m, straight plug	54-002307 K
Shaft encoder 2.500 pulses/revolut. with cable 6m, straight plug	54-002352 K



Description	Part-number
Shaft encoder with mounting device, weight adjustment / with wheel and coupling	54-002348 S





Part-number	Description
54-002349 K	Coupling for shaft encoder Ø =6 mm

Adaptable for:
54-002307 K, 54-002352 K,
54-002435 K, 54-002348 S



Part-number	Description
54-002359 K	Friction wheel for shaft encoder, plastic, circ. 200 mm, for paper, bore Ø =6 mm

Adaptable for:
54-002307 K, 54-002352 K,
54-002435 K, 54-002348 S



Part-number	Description
54-003540 K	Friction wheel for shaft encoder circ.200 mm, nap rubber/metal Ø =6mm

Adaptable for:
54-002307 K, 54-002352 K
54-002435 K, 54-002348 S



Part-number	Description
54-002358 S	Mounting plate for shaft encoder cpl. with fixing screws

Adaptable for:
No. 54-002307 K, 54-002352 K, 54-002435 K

Product sensor

Description	Part-number
Product sensor, optical, 5m cable and straight plug	54-002353 S

Adaptable head mounting: 55-004568 S



Description	Part-number
Product sensor, inductive, 5m cable pluggable, with straight plug	54-002354 S

Adaptable head mounting: 55-004568 S



Description	Part-number
Contrast sensor, print mark sensor (NPN) with 2m cable	54-002797 S

Adaptable head mounting: 55-004568 S



Description	Part-number
Optical sensor with fiber optic	CM416675 B





Delivery without product sensor

Part-number	Description
55-004569 S	Bracket for product sensors with Ø 18 mm

!Not usable as head mounting device!

Adaptable for: 54-002353 S, 54-002354 S



Delivery without product sensor

Part-number	Description
55-004568 S	Bracket for product sensor no. 54-002797 S (angular design)

!Not usable as head mounting device!



Part-number	Description
31101-00020	Sensor bracket for print mark sensor. For fast mounting with sliding block on item profile 20x20, groove 5 mm

Plug / electronic accessories

Description	Part-number
Coupler plug PG9 5-pole 240° "print go" straight plug	54-000729 K



Description	Part-number
Coupler plug PG9 12-pole (shaft encoder) straight plug	54-000928 K



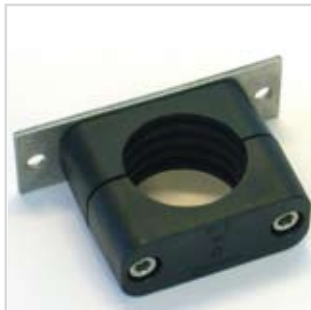
Description	Part-number
ESD-Filter	E55-005692 S



Description	Part-number
Ground cable cpl.	55-004749 S



Head mounting and product slaving with accessories



Part-number	Description
55-004504 S	Print head mounting device (standard) for SK4



Part-number	Description
55-004541 S	Print head mounting device with shaft Ø 30 mm

Adaptable for stand, sliding table, cross clamp device:
55-004624 S, 55-004625 S, 55-004633 S, 55004669 S, CM 419998



Part-number	Description
55-005210 SA	Print head mounting device for park position



Part-number	Description
55-005889 S	Quick release for head bracket SK4

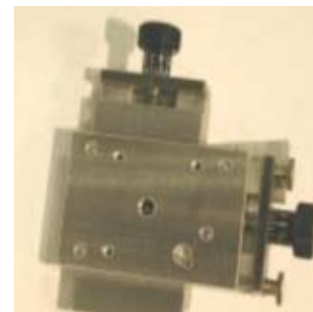
Description	Part-number
Adjusting slide 1-axis (X) with quick separation and precise adjustment	54-002893 S

Adaptable head mounting: 55-004539 S



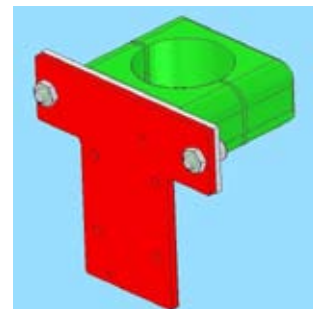
Description	Part-number
Adjusting slide 2-axis (XY) with quick separation and precise adjustment	54-000903 S
Adjusting slide 1-axis (X) with quick separation and precise adjustment, width 50 mm	54-000902 S

Adaptable head mounting: 55-004539 S



Description	Part-number
Adapter plate for adjusting slide, incl. head mounting SK4	55-004539 S

Adaptable for devices no:
54-000903 S, 54-000902 S,
54-002893 S, 54-000119 S



Description	Part-number
Cross clamping device with 2 levers	CM419998

Adaptable head mounting: 55-004541 S





Part-number	Description
55-004624 S	Sliding table with XY crank adjustment cpl. with shaft encoder and sensor, without head bracket

Adaptable head mounting: 55-004541 S



Part-number	Description
55-004625 S	Sliding table cpl. with shaft encoder and sensor, without head bracket

Adaptable head mounting: 55-004541 S



Part-number	Description
55-004633 S*	Universal bottom stand useable for SK1, SK2, SK4

55-004669 S*	Universal bottom stand for SK1, SK2, SK4, stainless steel
--------------	---

Adaptable head mounting: 55-004541 S

*without head mounting



Part-number	Description
54-000119 S*	Cable guide unit for cable Ø 2-10 mm (25) with left entry

Adaptable head mounting: 55-004539 S

*without head mounting

Devices stand

Description	Part-number
Stand with wheels for JET3	55-004372 S



Description	Part-number
Stand for 3x JET3	55-004358 K



Signal lamps

Description	Part-number
3 color signal lamp with screwed bracket and plug red/orange/green LJ3	55-004382 S
3 color signal lamp with horn, screwed bracket and plug, red/orange/green LJ3	55-004537 S



Connector cable



Part-number	Description
60000-00584	Ethernet cable, RJ45 - M12D, 3m



Part-number	Description
54-002295 S	Data input cable for data transfer, 3m, RS232 9/9 pole



Part-number	Description
54-002558 S	Print go cable LJ/n - LJ/n +1, 3m for multi head applications

Necessary for option: 055-004551 S



Part-number	Description
54-002557 S	Shaft encoder cable, 3m, LJ/n-LJ/n+1 for multi head applications

Necessary for option: 055-004551 S

Cleaning / maintenance

Description	Part-number
Initial cleaning/maintenance kit, LJ3	55-004545 S



Description	Part-number
Cleaning kit	54-002335 S



Description	Part-number
Cleaning station for stand (55-004372 K) for print head SK4, incl. accessories	55-004497 S

Applicable for stand: 55-004372 K



Description	Part-number
Cleaning paper, box with 800 pieces, tear resistant and lint-free	54-002082 K
Cleaning paper, box with 20 pieces, tear resistant and lint-free	54-002083 K





Part-number	Description
54-002342 K	Gloves (100 pieces) MEK resistant



Part-number	Description
54-002641 K	Safety glasses (universal)



Part-number	Description
54-002343 K	Rubber bulb



Part-number	Description
54-002346 K	Pocket microscope (50-fold magnification)

Description	Part-number
Ultra sonic cleaner Transonic T310 with cover	54-002347 K



Description	Part-number
Intermediate service kit LJ3 (non-pigmented printers)	55-004678 S
Intermediate service kit LJ3 (pigmented printers)	55-004999 S



Description	Part-number
Main service kit LJ3 (non-pigmented printers)	55-004679 S
Main service kit LJ3 (pigmented printers)	55-004998 S
Main service kit LJ3 for plastic pressure tank (non-pigmented printers)	55-005041S
Main service kit LJ3 plastic pressure tank (pigmented printers)	55-005042S



Software



Part-number	Description
55-004863 S	Remote control software



Part-number	Description
55-005275 C	JETedit3

WINJET

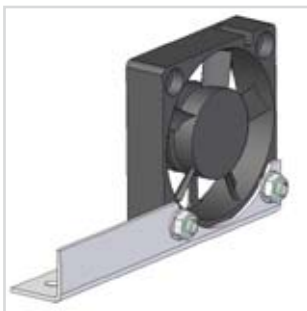
Part-number	Description
55-005402	WinJET for one JET3 printer
55-005403	WinJET licence to work with several printers
55-005404	WinJET Mailing for one JET3 printer
55-005405	WinJET Mailing licence to work with several printers

Spare parts hydraulic electronic

Electronic

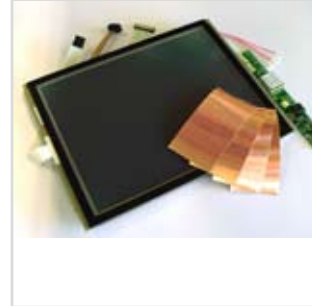


Part-number	Description
E55-0053262 S	Controller
E55-005722 S	Controller IP65
E55-005721 S	Controller JET3+
E55-005723 S	Controller JET3+ IP65



Part-number	Description
E55-004697 S	Fan electronic cabinet for hot environment

Description	Part-number
Touch-Display cpl., with cable, inverter and shielding foil LJ3 (For printers starting at serial number LJ -303502)	E55-005705 S
Touch-Display cpl., with cable, inverter and shielding foil LJ3 (for printers until serial number: LJ-303501)	E55-004546 S



Description	Part-number
Power supply LJ3 without HV-module	E55-004163 S



Description	Part-number
Connection cable 12-pole, controller board/ power supply LJ3	55-004375 S



Description	Part-number
Connection cable 4-pole, controller board/ power supply LJ3	55-004374 S





Part-number	Description
E55-004191 S	Interfacemodule, print-go and encoder LJ3



Part-number	Description
E54-003340 S	Leakage sensor with cable, LJ3



Part-number	Description
54-003032 K	Lithium-battery CR1/3N to plug for controller NT/LJ3



Part-number	Description
E55-004682 S	Mains cable with plug for Europe with Crimp-contacts and plug-body

Description	Part-number
Mains cable with plug for USA with Crimp-contacts and plug-body LJ3	E55-004681 S



Description	Part-number
Mains cable with plug for China with Crimp-contacts and plug-body LJ3	E55-004683 S

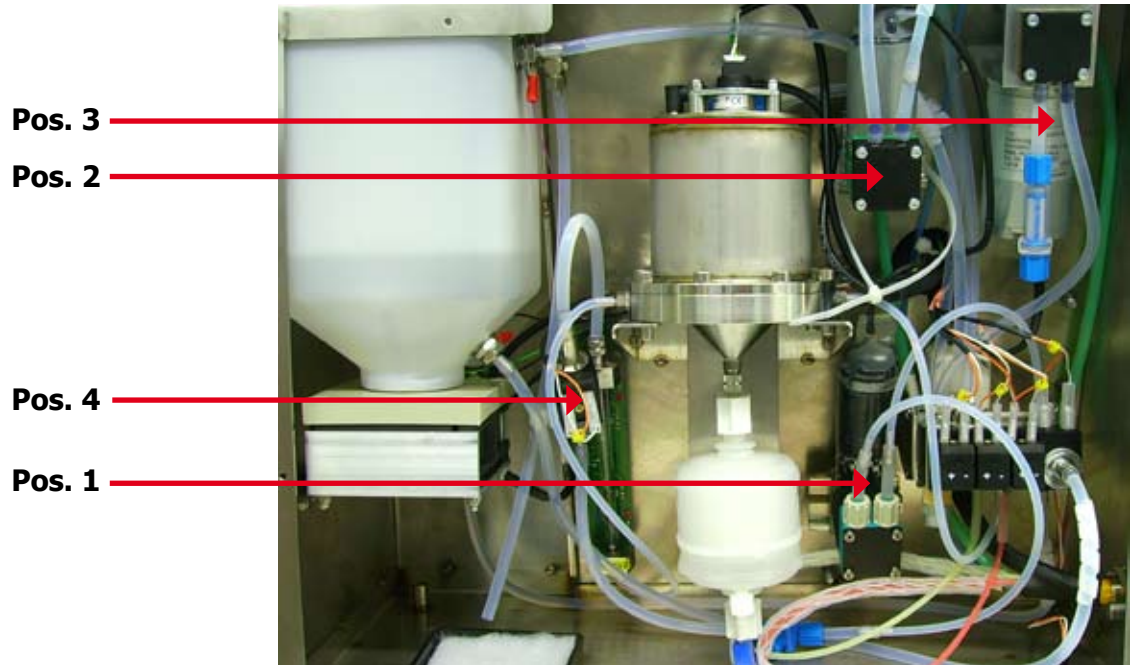


Description	Part-number
Mains cable with english plug	E55-005081 SA



Spare parts hydraulic mechanic

Pumps



Part-number	Description	Pos.
E54-002001 S	Main pump cpl.	1



Part-number	Description	Pos.
E54-002002 S	Suction pump cpl.	2

Pos.	Description	Part-number
3	Compressor standard (4 bar) cpl.	E54-001997 S
3	Compressor cpl. (5 bar)	E54-003428 S



Pos.	Description	Part-number
3	Diaphragm for compressor	55-004926 K



Pos.	Description	Part-number
4	Viscosity pump cpl.	E54-002309 S



Description	Part-number
Head ventilation for LJ3 (internal)	E55-004473 S





Part-number	Description
E54-003566 S	Refurbish kit for suction pump

Applicable for 54-002002 S



Part-number	Description
E54-003565 S	Refurbish kit for main pump

Applicable for 54-002001 S

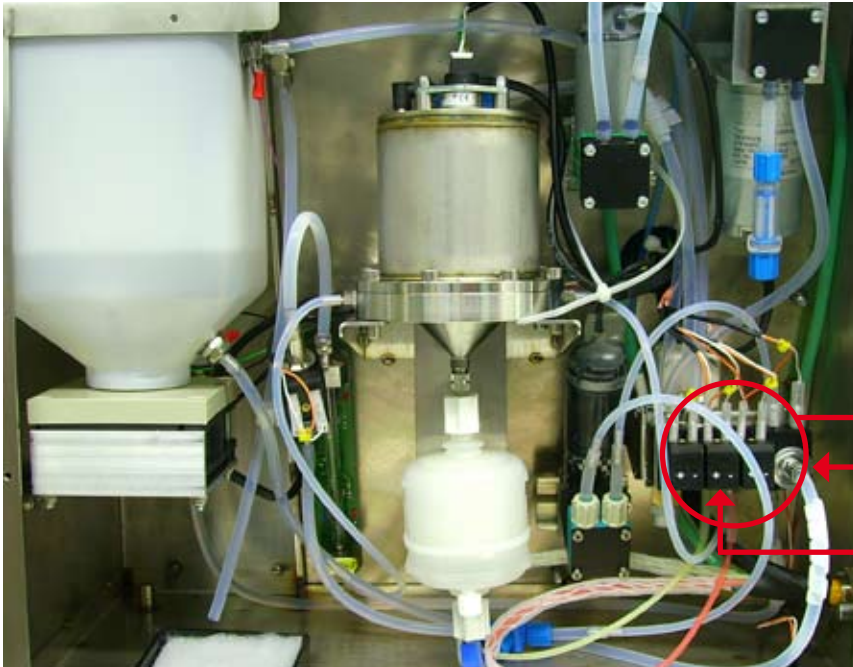


Part-number	Description
E54-003933 K	Refurbish kit for double piston pump (only air side)

Applicable for 55-004473 S

For the complete pump revision you additionally need E54-003566.

Valves



Pos. 1

Pos. 2/3

Pos. 4

Pos.	Description	Part-number
1	Valve block with connectings and valves, ready for connection LJ3	E55-004598 S



Pos.	Description	Part-number
2	Magnet valve 3/2	E54-002286 K



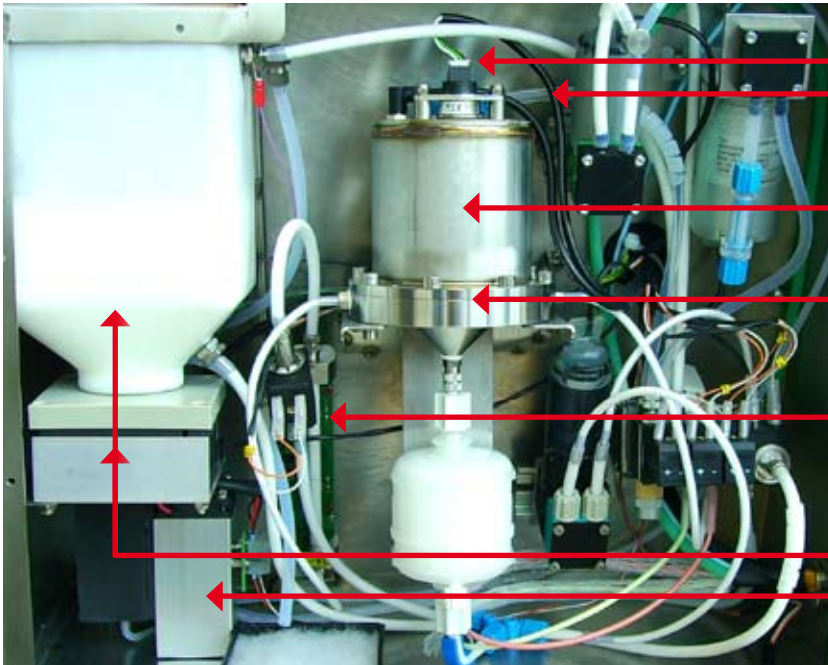


Part-number	Description	Pos.
54-003587 K	Valve piston (for valve 54-002286 K)	3



Part-number	Description	Pos.
E55-004197 K	2/2-way-magnet valve	4

Div. parts for hydraulic



Pos. 5

Pos. 4

Pos. 1

Pos. 2/3

Pos. 6

Pos. 8

Pos. 7

Pos.	Description	Part-number
1	Pressure tank cpl. with sensor	E55-004517 S



Pos	Description	Part-number
1	Pressure tank plastic cpl. with sensor	E55-004437S



Concerns printer series from end of April 2010 on

Pos	Description	Part-number
1	Pressure tank plastic cpl. without pressure sensor	E55-005493 S



LEIBINGER
INK-JET



Part-number	Description	Pos.
54-000964 S	Diaphragm cpl. for pressure tank	2



Part-number	Description	Pos.
55-004205 S	Y-Connection cable for pressure tank-sensor system	4
55-005014 S	Y-Connection cable for pressure tank-sensor system for IP65	4

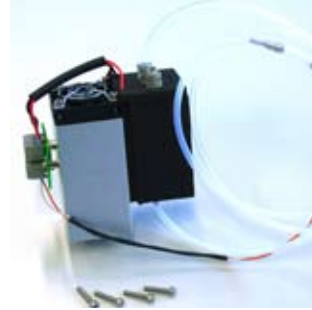


Part-number	Description	Pos.
E54-002900 S	Drop-ball-viscosimeter	6



Part-number	Description	Pos.
54-003255 K	Connection cable viscosimeter	6
55-005013 S	Connection cable viscosimeter IP65	6

Pos.	Description	Part-number
7	ECOsolv, solvent recovery 2	E55-004506 S



Pos.	Description	Part-number
8	Upgrade kit stirring device and reservoir tank for not pigmented LJ3 to pigmented LJ3	E55-004680 S



Description	Part-number
External head ventilation	55-004664 S



Pos.	Description	Part-number
5	Pressure sensor, OEM pressure sensor module	55-004280 K



Tubes and accessories



Part-number	Description
54-002329 T	Tube adapter Ø 2/4



Part-number	Description
54-003574 T	Tube adapter for tube, extension Ø 2/4 mm



Part-number	Description	Pos
54-002777 T	Tube thread joint M5 for tube Ø 4/6	1
54-003322 T	Nut for threaded hose coupling drop ball viscosimeter	2



Part-number	Description
54-002570 K	Plastic tube PUN 6x1-blue Minimum order quantity: 10 m

! Rinse tubes before installation !

Description	Part-number
Tube Ø 2/4, teflon/PTFE Minimum order quantity: 10 m	54-002328 K
Tube Ø 4/6, teflon/PTFE Minimum order quantity: 10 m	54-002332 K
Tube Ø 4/6, PE Minimum order quantity: 10 m	54-002330 K

! Rinse tubes before installation !



Description	Part-number
Outlet-connecting piece cpl. Ø 4/6	CM417810 A



Description	Part-number
Connecting part M5 for tube Ø 2/4	54-002324 T





Part-number	Description
KTEKK10878	T-fitting quick screwing



Part-number	Description
KTEKK11716	Tubing support 90° Minimum order quantity: 10 pieces



Part-number	Description
E55/005000S	Gutter / Suction tube

Filter

Description	Part-number
Suction filter (air filter) for compressor	54-001990 K



Description	Part-number
Main filter cpl., pre-mounted 10 µm (non-pigmented printers)	E54-003958 S
Main filter cpl., pre-mounted 20 µm (pigmented printers)	E55-004845 S



Tanks



Part-number	Description
E55-004278 S	Solvent reservoir tank cpl., LJ3



Part-number	Description
E55-004277 S	Ink reservoir tank cpl., LJ3, not pigmented
E55-004567 S	Reservoir tank cpl., for pigmented ink, with stirring magnet



Part-number	Description
55-004337 K	Screw cap for reservoir tank



Part-number	Description
55-004543 K	Label „Ink“ for tank sealing cap LJ3

Description	Part-number
Label „Solvent“ for tank sealing cap, LJ3	55-004544 K



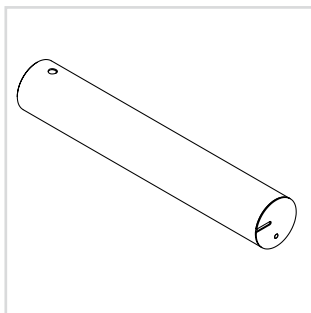
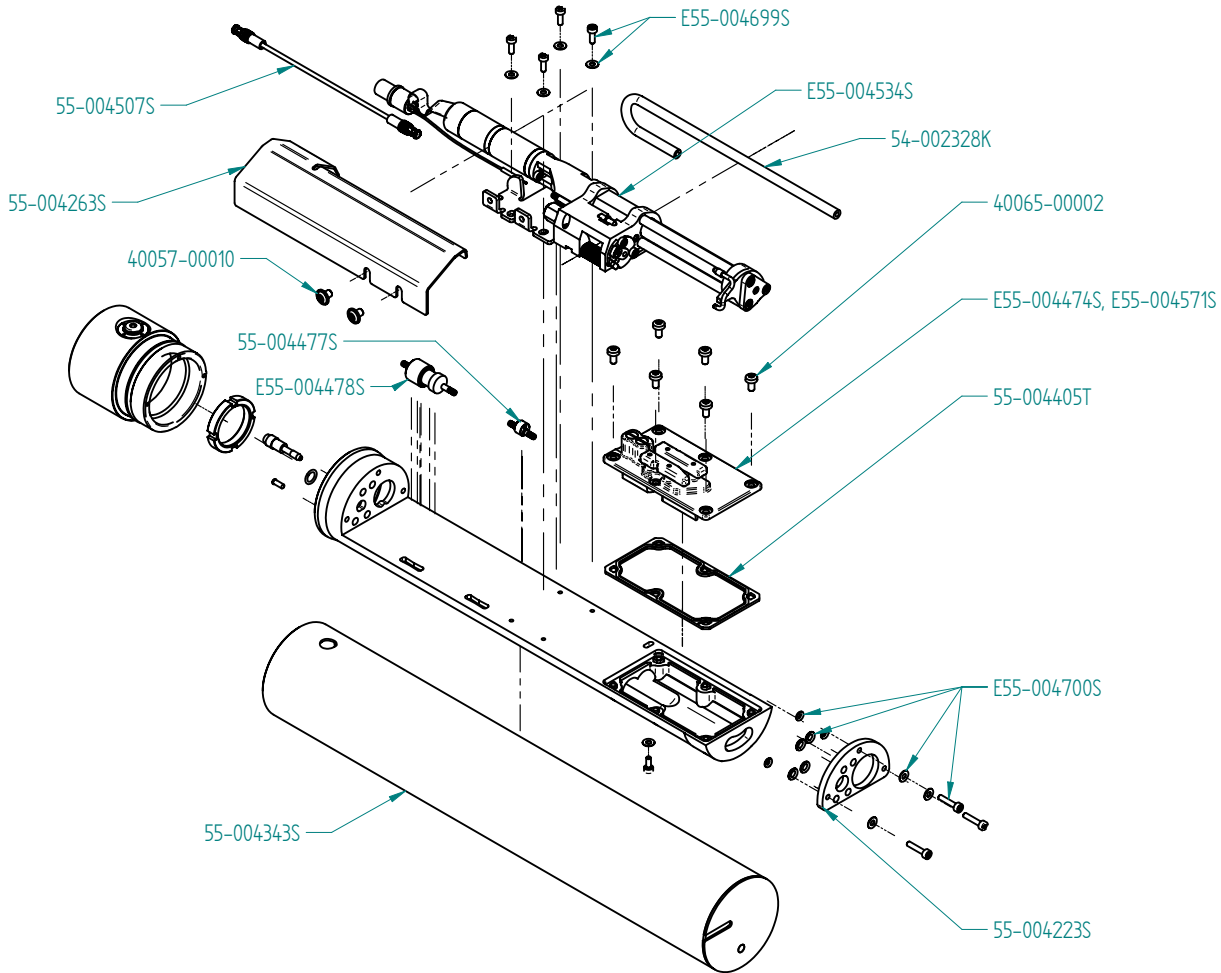
Description	Part-number
Warning label yellow for refill unit, german	55-004690 K



Description	Part-number
Warning label yellow for refill unit, english	55-004686 K

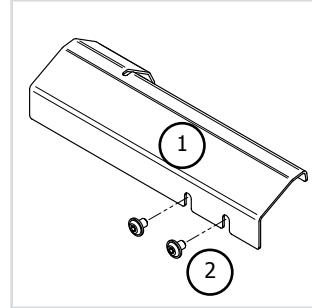


Print head

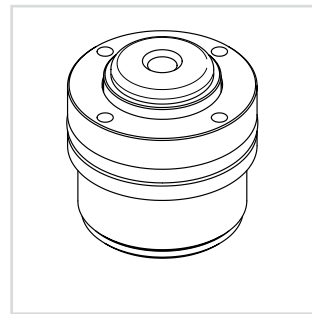


Part-number	Description
55-004343 S	Print head cover, Ø 43 mm, SK4

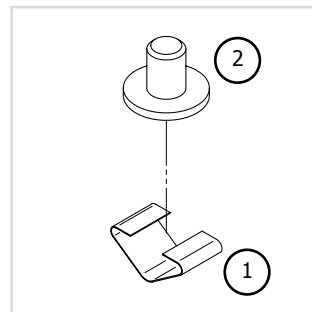
Pos	Description	Part-number
1	Inner cover SK4	55-004263 S
2	Lens-flat headed screw with Allen screw M3x4 Minimum order quantity: 10 pieces	40057-00010



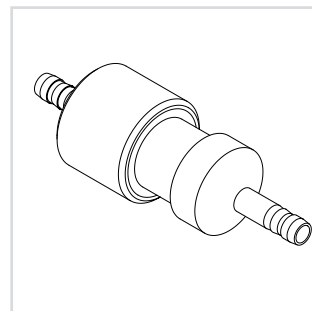
Description	Part-number
Push button cpl. for SK4	E55-004482 S

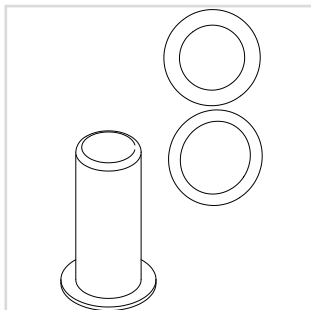


Pos	Description	Part-number
1	Engage-spring single contact GK2	55-004246 K
2	Flange head screw, TufLok coated 360°	55-004402 S

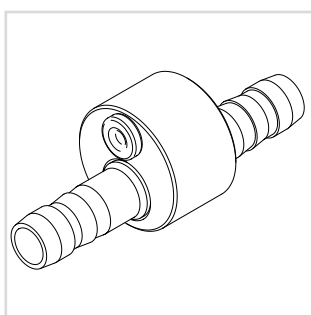


Description	Part-number
Print head filter cpl., SK4	E55-004478 S

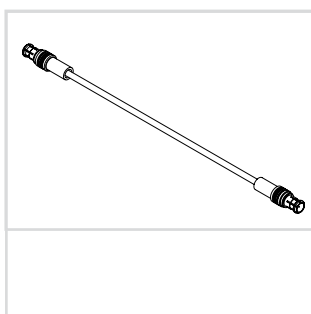




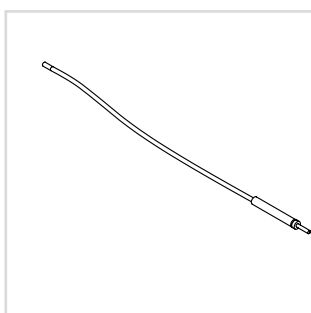
Part-number	Description
E54-003088 S	Filter element for head filter incl. O-Rings, SK4



Part-number	Description
55-004477 S	Suction sensor cpl., SK4

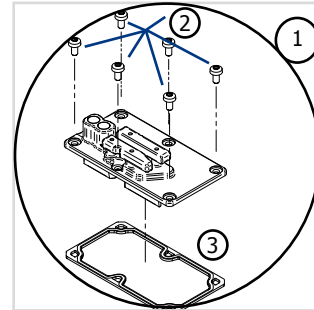


Part-number	Description
55-004507 S	Oscillator cable cpl. for SK4

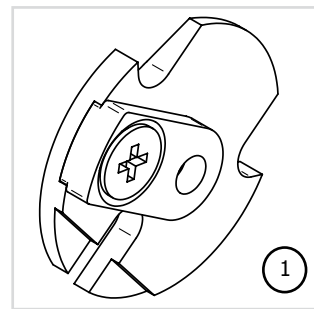


Part-number	Description
E55-004248 S	Cable plug for measuerment cable with 0,64 mm pin

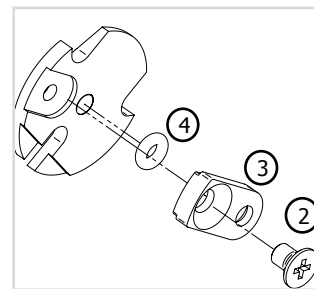
Pos	Description	Part-number
1	Electrode block SK4 cpl., (for 35 μ , 40 μ nozzle)	E55-004891 S
1	Electrode block SK4 cpl., (for 50 μ , 60 μ nozzle)	E55-004474 S
1	Electrode block SK4 cpl., (for 70 μ nozzle)	E55-004571 S
2	Lens head screw with inside cog M 2,5x5 Minimum order quantity: 10 pieces	40065-00002
3	Flat seal for electrode block SK4	55-004405 T



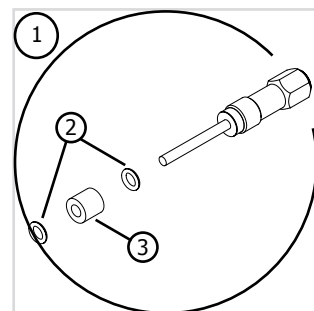
Pos	Description	Part-number
1	Nozzle plate 35 μ m cpl. SK4	E55-004892 S
1	Nozzle plate 40 μ m cpl. SK4	E55-004953 S
1	Nozzle plate 50 μ m cpl. SK4	E55-004508 S
1	Nozzle plate 60 μ m cpl. SK4	E55-004479 S
1	Nozzle plate 70 μ m cpl. SK4	E55-004509 S

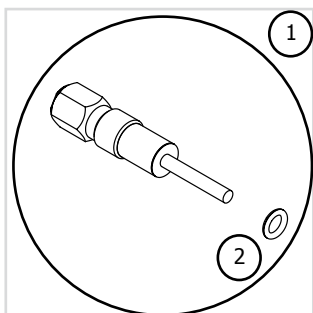


Pos	Description	Part-number
2	Countersink screw M2x3 Minimum order quantity: 10 pieces	40025-00012
2+3	Retaining plate for nozzle with countersink screw M2x3	E55-004671 S
4	O-Ring for nozzle, 1,5x1,0 Minimum order quantity: 10 pieces	54-000771 K

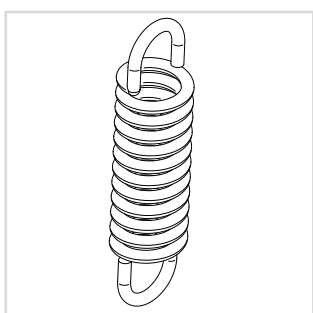


Pos	Description	Part-number
1	Oscillator 64 kHz cpl. with bush, SK4	E55-004434 S
2	O-Ring for oscillator 3,33 x 1,02 Minimum order quantity: 10 pieces	54-000161 K
3	Adapter ring for 64 kHz, SK4	55-004431 T

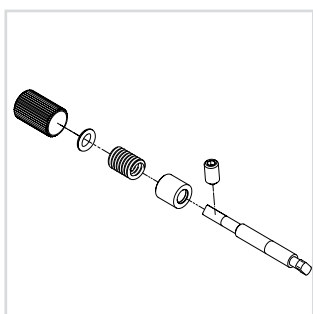




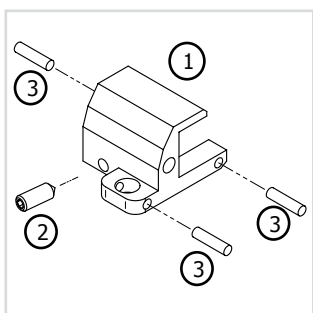
Part-number	Description
E55-004433 S	Oscillator 96 kHz, cpl. with O-ring, SK4
54-000161 K	O-Ring for oscillator 3,33 x 1,02 Minimum order quantity: 10 pieces



Part-number	Description
55-004359 S	Tension spring

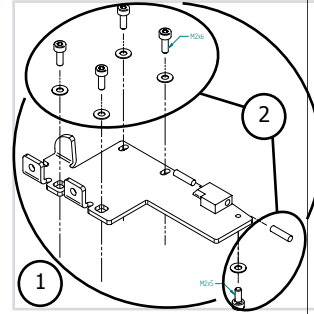


Part-number	Description
E55-004218 S	Clamping screw cpl. SK4 with screw nut, spring, O-ring and thread pin

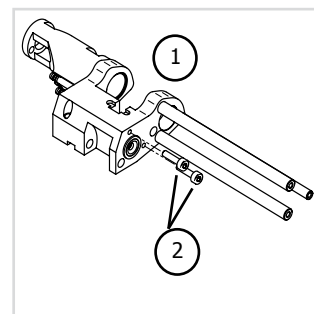


Part-number	Description	Pos
E55-004206 S	Bearing block SK4 with fastening kit	1
40041-00005	Headless pin M3 x 8, with hexagonal socket and cone point Minimum order quantity: 10 pieces	2
40058-00007	Cylinder pin DIN 7, diameter 2x8 Minimum order quantity: 10 pieces	3

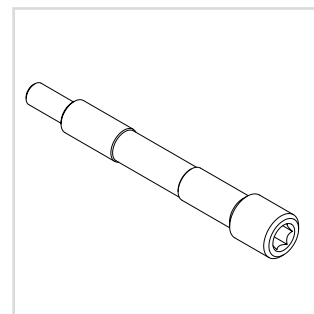
Pos	Description	Part-number
1	Mounting plate melded cpl., SK4 for 50μ, 60μ, 70μ	E55-004481 S
1	Mounting plate cpl. 35μ, 40μ	E55-004889 S
2	Screw kit for mounting plate (55-004481 S)	E55-004699 S



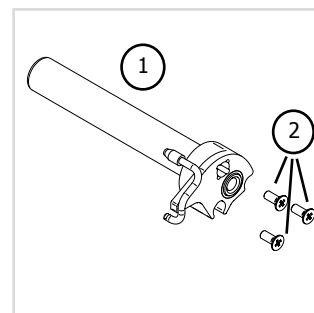
Pos	Description	Part-number
1	Drop production unit cpl., SK4 with column guidance	E55-004428 S
2	Cylinder-head screw , M 2x8, coated with Tuflock all around	55-004378 S

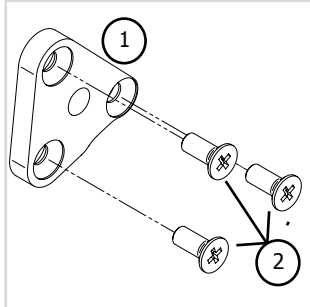


Description	Part-number
Shaft for bearing block, SK4, coated	55-004211 S

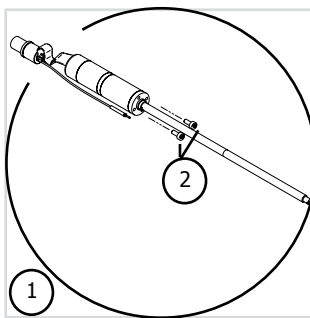


Pos	Description	Part-number
1	Gutter tube guidance cpl. SK4 incl. fastening kit	55-004311 S
2	Flat head screw M 2x5 Minimum order quantity: 10 pieces	40025-00014

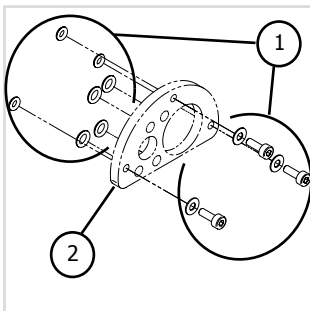




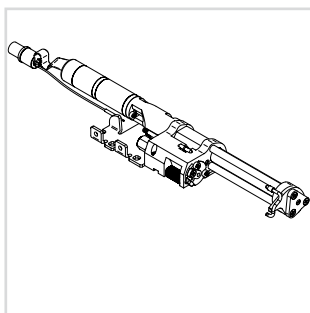
Part-number	Description	Pos
E55-004210 T	Column connection SK4, cpl. with screws	1
40025-00014	Flat head screw M2x5 Minimum order quantity: 10 pieces	2



Part-number	Description	Pos
E55-004475 S	Motor for nozzle seal cpl. with spindle for SK4	1
40030-00154	Cheese-head screw Allen M2x5 Minimum order quantity: 10 pieces	2



Part-number	Description	Pos
E55-004700 S	Fixing kit for sealing plate, incl. O-rings, SK4	1
55-004223 S	Gasket SK4 coated	2



Part-number	Description
E55-004534 S	Print head mechanics cpl., SK4, without oscillator and nozzle

Description	Part-number
Print head chassis SK4 with electronics and umbilical 3m, standard	E55-004672 S
Print head chassis SK4 with electronics and umbilical 3m, 90°	E55-004673 S
Print head chassis SK4 with electronics and umbilical 6m	E55-004674 S
Print head chassis SK4 with electronics and umbilical 6m, 90°	E55-004675 S
Print head chassis SK4 with electronics and umbilical 10m	E55-004676 S
Print head chassis SK4 with electronics and umbilical 10m, 90°	E55-004677 S



Description	Part-number
Print head SK4 cpl. with 3m umbilical, 50 µm	E55-004666 S
Print head SK4 cpl. with 3m umbilical, 60 µm	E55-004667 S
Print head SK4 cpl. with 3m umbilical, 70 µm	E55-004668 S
Print head SK4 cpl. with 6m umbilical, 50 µm	E55-004854 S
Print head SK4 cpl. with 6m umbilical, 60 µm	E55-004855 S
Print head SK4 cpl. with 6m umbilical, 70 µm	E55-004856 S
Print head SK4 cpl. with 10m umbilical, 50 µm	E55-004857 S
Print head SK4 cpl. with 10m umbilical, 60 µm	E55-004858 S
Print head SK4 cpl. with 10m umbilical, 70 µm	E55-004859 S



Description	Part-number
Demo-Print head SK4 with electronic	55-004623S



Tools



Part-number	Description
55-005174 S	Print head cover for maintenance



Part-number	Description
55-004501 K	Allen key SW 1,5 mm, SK4



Part-number	Description
54-003372 K	Allen key (golf ball head) SW=1,5



Part-number	Description
55-004557 K	Torque Allen key - Torque Vario-S 0,1-0,6 Nm

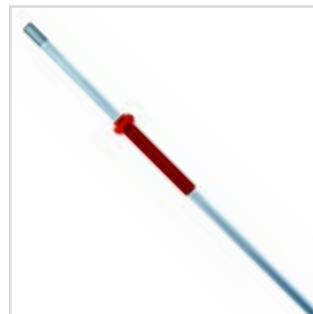
Description	Part-number
Blade for Torx T 8	55-004559 K



Description	Part-number
Cross head screw blade PH 1 for Torque Allen key	55-004558 K



Description	Part-number
Allen key blade SW 1,5 for Torque Allen key	55-004701 K



Description	Part-number
Allen key (golf ball head) blade SW 1,5 for Torque Allen key	55-004702 K





Part-number	Description
54-003526 K	Fore head hole key for DIN plug



Part-number	Description
54-002814 T	Special flat nose plier for proper adjusting of the gutter tube



Part-number	Description
55-004932 T	Flat nose plier to attach tubes



Part-number	Description
55-005001 T	Tube remover - small
55-005002 T	Tube remover - big

Description	Part-number
Special key for connecting sockets of the main pump	55-005003 T



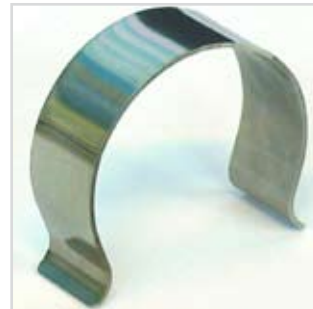
Description	Part-number
Standard round-nose pliers (for inner tube expansions before attaching)	55-005004 K



Description	Part-number
Special tool to draw out the extension spring of the JET3-swivel unit at printhead (to avoid the overextension of the spring)	55-005005 S



Description	Part-number
Service clip SK4	55-004502 S



Other accessories



Part-number	Description
54-002763 S	Touch-display pen Minimum order quantity: 10 pieces



Part-number	Description
54-003936 K	Mains filter / spike arrestor



Part-number	Description
54-002815 K	Work coat with „Leibinger“ logo, Size: 46
54-003883 K	Work coat with „Leibinger“ logo, Size: 48
54-003884 K	Work coat with „Leibinger“ logo, Size: 50
54-003885 K	Work coat with „Leibinger“ logo, Size: 52
54-003886 K	Work coat with „Leibinger“ logo, Size: 54
54-003887 K	Work coat with „Leibinger“ logo, Size: 56



Part-number	Description
55-004691 K	Leibinger Polo Shirt black, Size: S
55-004692 K	Leibinger Polo Shirt black, Size: M
55-004693 K	Leibinger Polo Shirt black, Size: L
55-004694 K	Leibinger Polo Shirt black, Size: XL

Description	Part-number
Universal bench vice	54-002334 K





Part-number	Description
31100-00003	Standard JETvisio camera system

Options



Part-number	Description
Flash in different colours, instead of red flashlight:	
O31101-00123	Green flashlight
O31101-000124	White flashlight
O31101-000125	Red/Green flashlight



Part-number	Description
O60000-00089	25 mm lens Instead of 16 mm standard lens

Accessories

Description	Part-number
Colorfilter green	60000-00815



Description	Part-number
Linear polarize filter	60000-00187

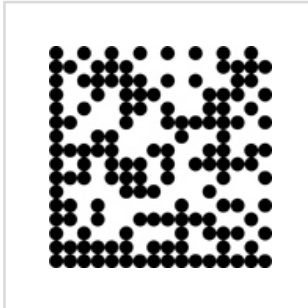


Description	Part-number
Polarize filter for flashlight	31103-00049



Description	Part-number
Additional sensor with cable and plug	31101-00116





Part-number	Description
31104-00019	Data-Matrix Licence



Part-number	Description
31101-00134	Distributor start-up kit



Part-number	Description
55-005314S	Diffuse Reflector JETvisio

Spare parts

Description	Part-number
Flashlight red	E31101-00089
Flashlight green	E31101-00123
Flashlight white	E31101-00124
Flashlight red/green	E31101-00125



Description	Part-number
JETvisio camera (without lens)	E31101-00098



Description	Part-number
JETvisio Interface box	E31101-00101

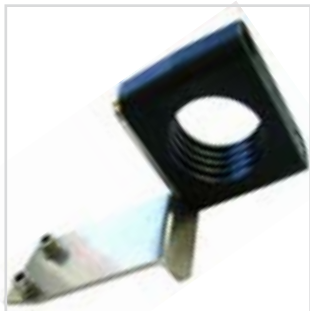


Description	Part-number
Lens 16 mm	60000-00877
Lens 25 mm	60000-00089





Part-number	Description
E60000-00660	Wire harness compl. JETvisio



Part-number	Description
31101-00140	JETvisio bracket



Part-number	Description
60000-00181	Ethernet cable 5 m



Part-number	Description
60000-00797	Ethernet cable 0,25 m

Description	Part-number
Connection cable JET3	31101-00107

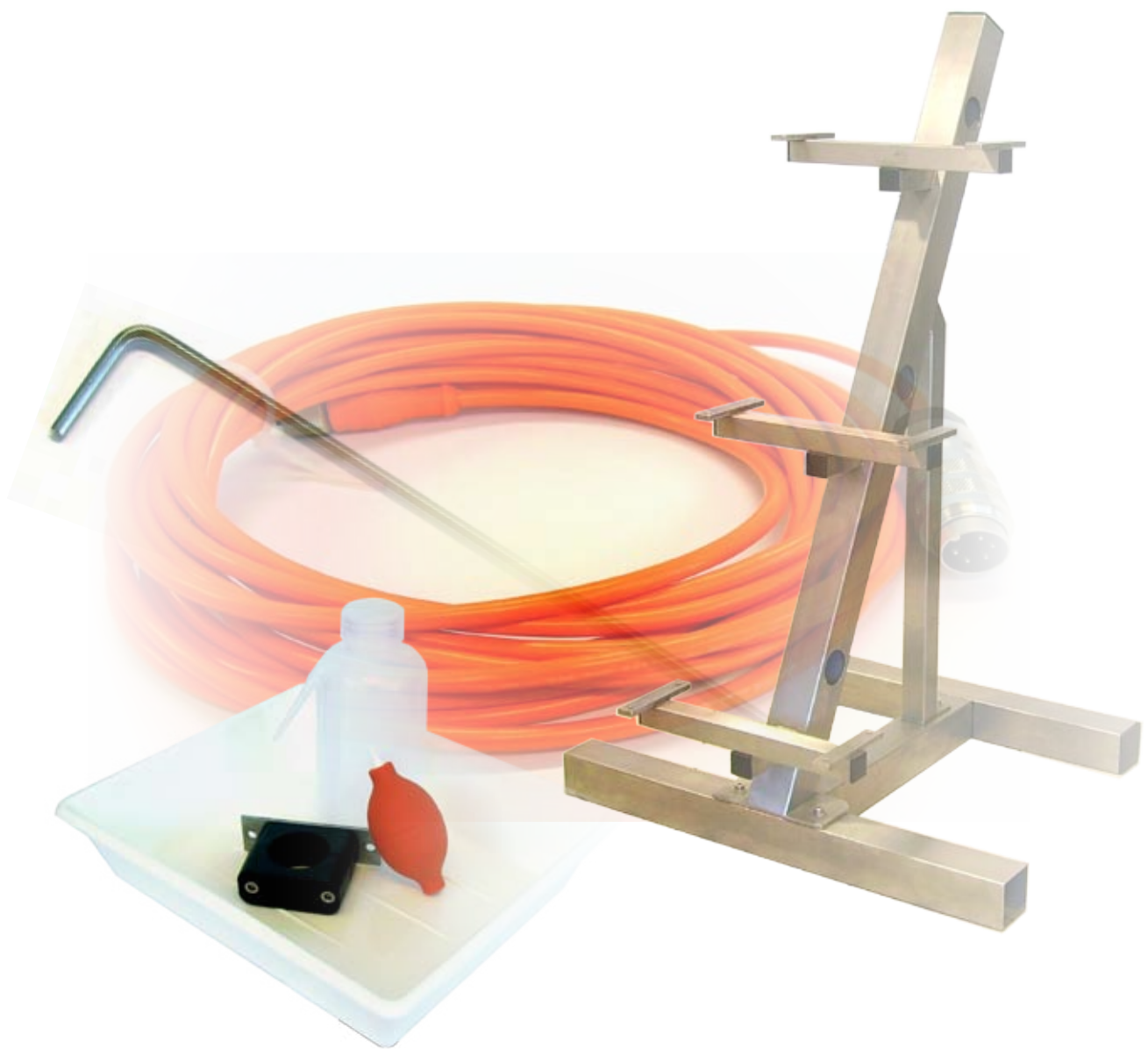


Description	Part-number
Ethernet cable RJ45-M12D	60000-00584



Index

2/2-way-magnet valve	30	G	Print head chassis	47	
A		Gloves	18	Print head cover	40
Adapter plate for adjusting slide	13	Ground cable	11	Print head filter	41
Adjusting slide	12	Gutter tube guidance	45	Print head mechanics	46
Allen key	48	H	Print head mounting device	12	
B		Head ventilation	4,27	Product sensor	9
Bearing block	44	I	Push button	41	
Blade for Torx	49	Ink reservoir tank	38	R	
Bracket for product sensors	10	Inner cover	41	Remote control software	20
Bracket JETvisio	58	Interface box JETvisio	57	Remote Control Software	20,53
C		interface module	4	round-nose pliers	51
Cable guide unit	14	Interfacemodule	24	Rubber bulb	18
Cable plug measurement cable	42	J		S	
Camera JETvisio (without lens)	57	JETedit3	20	Safety glasses	18
Clamping screw	44	K		Screw cap reservoir tank	38
Cleaning kit	17	key for connecting sockets	51	Sensor JETvisio	55
Cleaning paper	17	Kopfchassis	47	Service clip	51
Cleaning station for stand	17	L		service kit	19
Colorfilter JETvisio	55	Label	38–39	Shaft encoder	7
Column connection	46	Leakage sensor	24	Shaft encoder cable	16
Compressor	27	Lens JETvisio	57	Shaft for bearing block	45
Connection cable	23	Lens JETvisio, 25 mm, option	54	signal lamp	15
Connection cable JETvisio	59	Lithium-battery	24	Sliding table	13
Contrast sensor,	9	M		Solvent reservoir tank	38
Controller	22	Magnet valve	29	Stand	15
Coupler plug	11	Main filter	37	Suction filter	37
Coupling for shaft encoder	8	Main pump	26	Suction pump	26
Cross clamping device	13	Mains cable	24–25	Suction sensor	42
Cross head screw blade	49	Mains filter	52	T	
D		Motor for nozzle seal	46	Tension spring	44
Data input cable	16	Mounting plate	45	T-fitting 35	
Data-Matrix Licence JETvisio	56	Mounting plate for shaft encoder	8	Tool for extension spring	51
Diaphragm for compressor	27	N		Torque Allen key	48
Diaphragm pressure tank	32	Nozzle plate	43	Touch-Display	23
Distributor start-up kit JETvisio	56	O		Touch-display pen	52
Drop-ball-viscosimeter	32	Optical sensor	9	Tube adapter	34
Drop production unit	45	Oscillator	43–44	Tube remover	50
E		Oscillator cable	42	Tube thread	34
Ecosolv	33	Outlet-connecting piece	35	Tubing support 90°	36
ECOsolv	5	P		U	
Electrode block	43	Plastic tube	34	Ultra sonic cleaner	19
Engage-spring	41	Pocket microscope	18,20	Umbilical	4
Ethernet cable	16	Polarize filter JETvisio	55	Universal bench vice	51
Ethernet cable JETvisio	58	Polo Shirt	52	Universal bottom stand	13
Ethernet cable RJ45-M12D, JETvisio	59	Power supply	23	Upgrade kit stirring device	31
F		Pressure sensor	33	V	
Fan	5	Pressure tank	31	Valve block	27
Filter element head filter	42	Print go cable	16	Valve piston	28
Fixing kit for sealing plate	46	Print head	47	Viscosity pump	25
Flashlight JETvisio	57			Viscosimeter connection cable	30
Flashlight JETvisio, option	54			W	
Flat nose plier	50			Wire harness compl. JETvisio	56
Fore head hole key	50			Y	
Friction wheel for shaft encoder	8–9			Y-Connection cable	30



LEIBINGER

Paul Leibinger GmbH & Co. KG
Daimlerstr. 14
D-78532 Tuttlingen
Phone +49 (0) 74 61 / 92 86 - 0
Fax +49 (0) 74 61 / 92 86 - 199

www.leibinger-group.com
info@leibinger-group.com



Ordering:

Nicole Buchal
P: +49 (0) 74 61 / 92 86 - 251
F: +49 (0) 74 61 / 92 86 - 199
nbuchal@leibinger-group.com

Frank Drescher
P: +49 (0) 74 61 / 92 86 - 248
F: +49 (0) 74 61 / 92 86 - 199
fdrescher@leibinger-group.com