

# JET<sup>2</sup>neo



## *Spare parts & accessories catalogue*

Version 2.0 (28.02.2013)

LEIBINGER  
INK-JET



<b>Options</b>	<b>4</b>
<b>JETmotion</b>	<b>5</b>
<b>Shaft encoder with accessories</b>	<b>6</b>
<b>Promduct sensor</b>	<b>8</b>
<b>Plug / electronic accessories</b>	<b>10</b>
<b>Head mounting and product slaving with accessories</b>	<b>11</b>
<b>Devices stand</b>	<b>14</b>
<b>Signal lamps</b>	<b>14</b>
<b>Connector cable</b>	<b>15</b>
<b>Cleaning / maintenance</b>	<b>16</b>
<b>Spare parts hydraulic electronic</b>	<b>19</b>
Electronic	19
<b>Spare parts hydraulic mechanic</b>	<b>23</b>
Pumps	23
Valves	26
Div. parts for hydraulic	28
Tubes and accessories	31
Filter	34
Tanks	35
<b>Print head</b>	<b>37</b>
<b>Tools</b>	<b>45</b>
<b>Other accessories</b>	<b>49</b>
<b>Software</b>	<b>51</b>
<b>Index</b>	<b>52</b>

# Options



Part-number	Description
O55-004473 S	Option: Head ventilation for JET2neo



Part-number	Description
O55-004506 S	Option: ECOsolv / solvent recycling system JET2neo

Description	Part-number
JETmotion for JET2neo series printers	55-005327 SA

Adapter cables 55-005443S & 55-005442S are not included, but are required for the use of JET2neo and must be ordered in addition.



Description	Part-number
Option length extension per 100 millimeters	055-005358 S
Option stainless guide rails per started 1000 millimeters	055-005359 S
Option cart with ball bearings instead of slide	055-005360 S

Description	Part-number
Double start button	55-005361 S

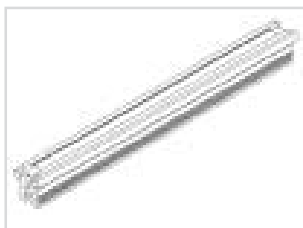


Description	Part-number
Pedal switch	55-005343 S

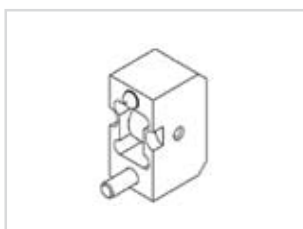




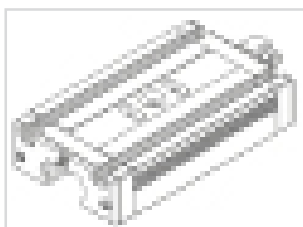
Part-number	Description
E55-005341 S	CNC - Controller 110V
E55-005297 S	Connection cable 80VA
E55-005298 S	Axis 800mm
E55-005299 S	Stepper motor
E55-005110 S	Connection cable encoder
E55-005111 S	Connection cable I/O
E55-005112 S	Connection cable PG
E55-005114 S	Printhead mounting



Part-number	Description
E55-005851 S	Linear guide

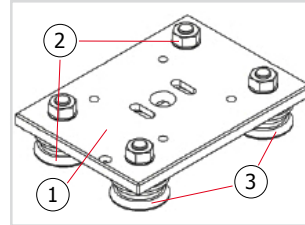


Part-number	Description
E55-005852 S	Deflector



Part-number	Description
E55-005854 S	Slider, standard

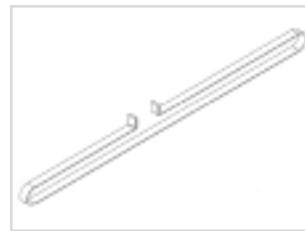
Pos.	Description	Part-number
1	Card with ball bearing	E55-005860 S
2	Ball bearing, concentric	E55-005861 S
3	Ball bearing, eccentric	E55-005862 S



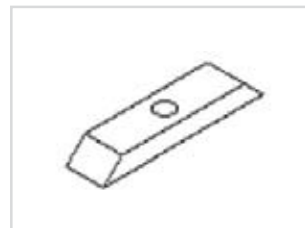
Description	Part-number
Head mounting device	E55-005114 S



Description	Part-number
Drive belt	E55-005856 S



Description	Part-number
Clamp	E55-005855 S



## Shaft encoder with accessories



Part-number	Description
E55-005626 S	Shaft encoder 10.000 pulses/revolut. with cable 6m, straight plug - SUB-D 9-pole



Part-number	Description
E 55-005443 S	Shaft encoder adapter for adaptation JET2neo

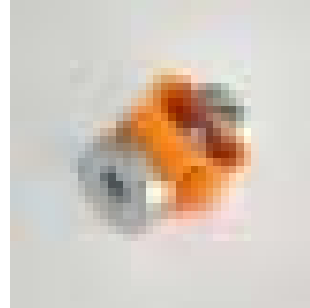


Part-number	Description
E 55-005442 S	PrintGo adapter for adaptation JET2neo



Description	Part-number
Coupling for shaft encoder $\varnothing=6\text{mm}$	54-002349 K

Adaptable for:  
54-002307 K, 54-002352 K,  
54-002435 K, E54-002348 S



Description	Part-number
Friction wheel for shaft encoder, plastic, circ. 200 mm, for paper, bore $\varnothing =6\text{mm}$	54-002359 K

Adaptable for:  
54-002307 K, 54-002352 K,  
54-002435 K, E54-002348 S



Description	Part-number
Friction wheel for shaft encoder circ. 200 mm, nap rubber/metal $\varnothing =6\text{mm}$	54-003540 K

Adaptable for:  
54-002307 K, 54-002352 K  
54-002435 K, E54-002348 S



Description	Part-number
Mounting plate for shaft encoder cpl. with fixing screws	54-002358S

Adaptable for:  
54-002307 K, 54-002352 K, 54-002435 K



## Product sensor



Part-number	Description
E55-005627 S	Product sensor, optical, 10m cable and straight plug

Adaptable head mounting: 55-004569 S



Part-number	Description
54-002354 S	Product sensor, inductive, 5m cable, with straight plug

Adaptable head mounting: 55-004569 S

Adapter cable 55-005442S is not included, but is required for the use of JET2neo and must be ordered in addition.



Part-number	Description
54-002797 S	Contrast sensor, print mark sensor (NPN) with 2m cable

Adaptable head mounting: 55-004569 S

Adapter cable 55-005442S is not included, but is required for the use of JET2neo and must be ordered in addition.



Part-number	Description
CM416675 B	Optical sensor with fiber optic

Adapter cable 55-005442S is not included, but is required for the use of JET2neo and must be ordered in addition.

Description	Part-number
Bracket for product sensors with Ø = 18 mm <b>! Not usable as head mounting device !</b>	55-004569 S

Applicable for: 54-002353 S, 54-002354 S



Delivery without product sensor

Description	Part-number
Bracket for product sensor (angular design) No. 54-002797 S <b>! Not usable as head mounting device !</b>	55-004568 S



Delivery without product sensor

Description	Part-number
Sensor bracket for print mark sensor. For fast mounting with sliding block on item profile 20x20, groove 5 mm	31101-00020



## Plug / electronic accessories



Part-number	Description
E55-005665S	Multi-pin connector SUB-D 9-pole, including housing



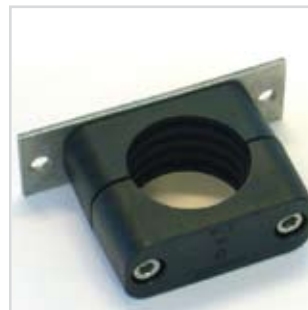
Part-number	Description
E55-005666S	Multi-pin connector SUB-D 15-pole HD, including housing



Part-number	Description
55-004749 S	Ground cable cpl.

## Head mounting and product slaving with accessories

Description	Part-number
Print head mounting device (standard) for SK4, SK6	55-004504 S



Description	Part-number
Print head mounting device with shaft Ø 30 mm	55-004541 S

Adaptable for stand, sliding table, cross clamp device:  
55-004624 S, 55-004625 S, 55-004633 S, 55-004669 S, CM 419998

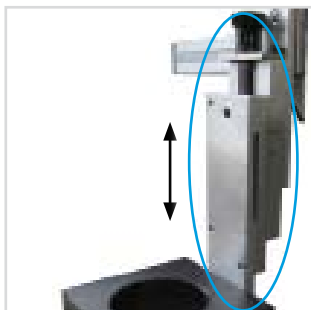


Description	Part-number
Print head mounting device for park position	55-005210 S



Description	Part-number
Quick release for head bracket SK6	55-005889 S





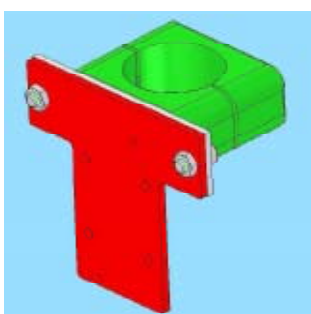
Part-number	Description
54-002893 S	Adjusting slide 1-axis (X) with quick separation and precise adjustment

Adaptable head mounting 55-004539 S



Part-number	Description
54-000903 S	Adjusting slide 2-axis (XY) with quick separation and precise adjustment
54-000902 S	Adjusting slide 1-axis (X) with quick separation and precise adjustment, width 50 mm

Adaptable head mounting: 55-004539 S



Part-number	Description
55-004539 S	Adapter plate for adjusting slide, incl. head mounting SK4, SK6

Adaptable for devices:  
54-000903 S, 54-000902 S,  
54-002893 S, 54-000119 S



Part-number	Description
CM419998	Cross clamping device with 2 levers

Adaptable head mounting: 55-004541 S

Description	Part-number
Sliding table with XY crank adjustment cpl. with shaft encoder and sensor, without head bracket	55-004624 S

Adaptable head mounting: 55-004541 S

Adapter cable 55-005442 S & adapter cable 55-005443 S is not included, but is required for the use of JET2neo and must be ordered in addition.



Description	Part-number
Sliding table cpl. with shaft encoder and sensor, without head bracket	55-004625 S

Adaptable head mounting: 55-004541 S

Adapter cable 55-005442 S & adapter cable 55-005443 S is not included, but is required for the use of JET2neo and must be ordered in addition.



Description	Part-number
Universal bottom stand useable for SK1, SK2, SK4, SK6	55-004633 S*
Universal bottom stand for SK1, SK2, SK4, SK6, stainless steel	55-004669 S*

Adaptable head mounting: 55-004541 S

\*without head mounting



Description	Part-number
Cable guide unit for cable Ø 2-10 mm (25) with left entry	54-000119 S*

Adaptable head mounting: 55-004539 S

\*without head mounting

Adapter cable 55-005442 S is not included, but is required for the use of JET2neo and must be ordered in addition.



## Devices stand



Part-number	Description
54-004372 K	Stand with wheels
E 55-005311 S	Adapter plate, is required for JET2neo

## Signal lamps



Part-number	Description
55-004382 S	3 color signal lamp with screwed bracket and plug red/orange/green JET2neo



## Connector cable

Description	Part-number
Patch cable, 5m, uncrossed	60000-00181



## Cleaning / maintenance



Part-number	Description
55-004545 S	Initial cleaning/maintenance kit, JET2neo



Part-number	Description
54-002335 S	Cleaning kit



Part-number	Description
55-004497 S	Cleaning station for stand (55-004372 K) for print head SK6, incl. accessories

Applicable for stand: 55-004372 K



Part-number	Description
54-002082 K	Cleaning paper, box with 800 pieces, tear resistant and lint-free
54-002083 K	Cleaning paper, box with 20 pieces, tear resistant and lint-free

Description	Part-number
Gloves (100 pieces) MEK resistant	54-002342 K
Please specify the size	S / M / L / XL



Description	Part-number
Safety glasses (universal)	54-002641 K



Description	Part-number
Rubber bulb	54-002343 K



Description	Part-number
Pocket microscope (50-fold magnification)	54-002346 K





Part-number	Description
54-002347 K	Ultra sonic cleaner Transonic T310 with cover



Part-number	Description
55-005550 S	Intermediate Service-Kit + Sealing ring



Part-number	Description
55-005551 S	Main Service-Kit + Sealing ring

# Spare parts hydraulic electronic

## Electronic



Description	Part-number
Controller	E55-005319S



Description	Part-number
Fan electronic cabinet for hot environment	E55-005549 K





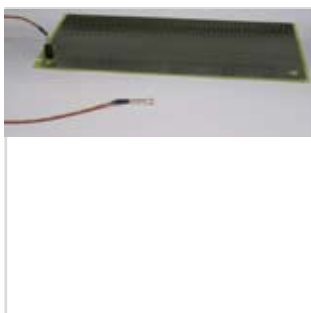
Part-number	Description
E55-005172 S	Touch-Display, including flat-cable



Part-number	Description
E55-005178 S	Power supply



Part-number	Description
55-005381 K	Connection cable, controller board/power supply



Part-number	Description
E55-005318 S	Leakage sensor with cable

Description	Part-number
Lithium-battery, plugging on controller	E55-005320 K



Description	Part-number
Mains cable with plug for Europe with Crimp-contacts and plug-body	E55-004682 S



Description	Part-number
Mains cable with plug for USA with Crimp-contacts and plug-body JET2neo	E55-004681 S



Description	Part-number
Mains cable with plug for China with Crimp-contacts and plug-body JET2neo	E55-004683 S



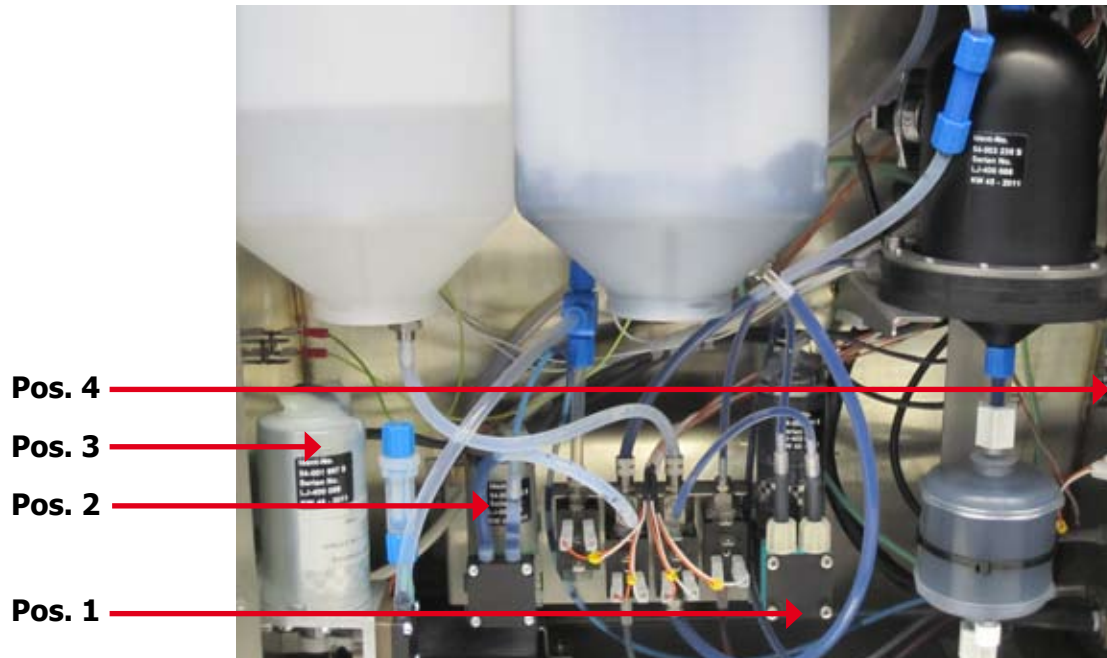


Part-number	Description
E55-005081 SA	Mains cable with british plug (GB)



# Spare parts hydraulic mechanic

## Pumps



Pos.	Description	Part-number
1	Main pump cpl.	E54-002001 S



Pos.	Description	Part-number
2	Suction pump cpl.	E55-005451 S





Part-number	Description	Pos.
E54-001997 S	Compressor standard (4 bar) cpl.	3
E54-003428 S	Compressor cpl. (5 bar)	3



Part-number	Description	Pos.
55-004926K	Diaphragm for compressor	3



Part-number	Description	Pos.
E54-002309 S	Viscosity pump cpl.	4



Part-number	Description
E55-004473 S	Head ventilation (internal)

Description	Part-number
Refurbish kit for suction pump	54-003566 S

Applicable for 54-002002 S



Description	Part-number
Refurbish kit for main pump	54-003565 S

Applicable for 54-002001 S



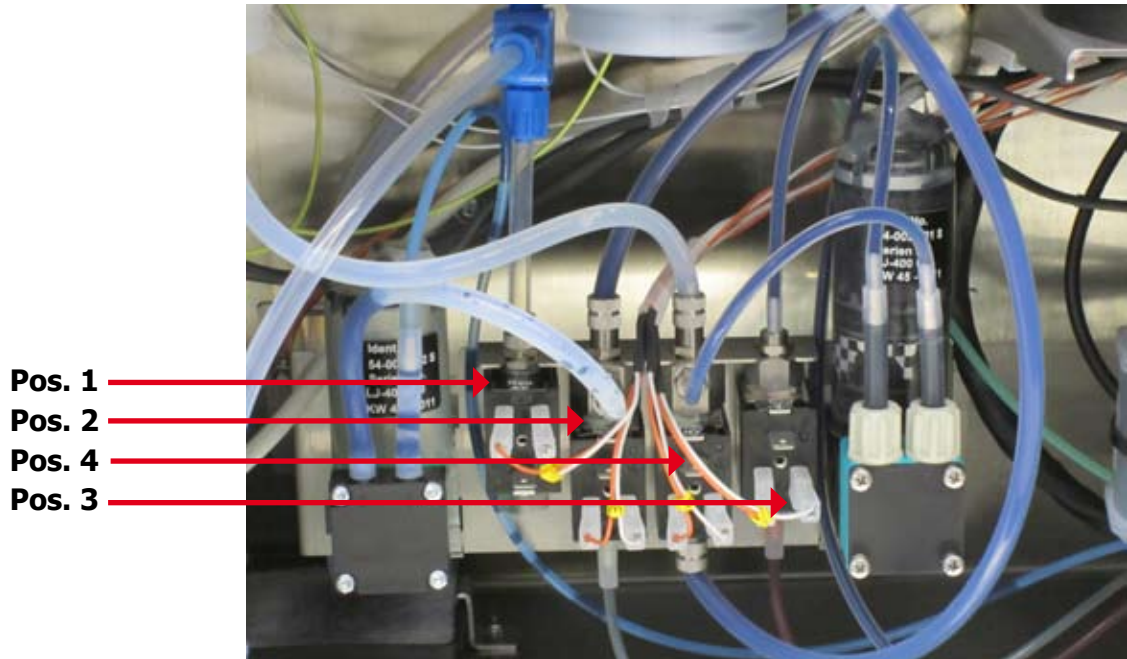
Description	Part-number
Refurbish kit for double piston pump (only air side)	54-003933 K

Applicable for 55-004473 S



For the complete pump revision you additionally need  
54-003566 S.

# Valves



Part-number	Description	Pos.
E55-005262 S	Valve AV for valve block	1



Part-number	Description	Pos.
E55-005265 S	Valve EV for valve block	2

Pos.	Description	Part-number
3	Valve VV valve block	E55-005267 S



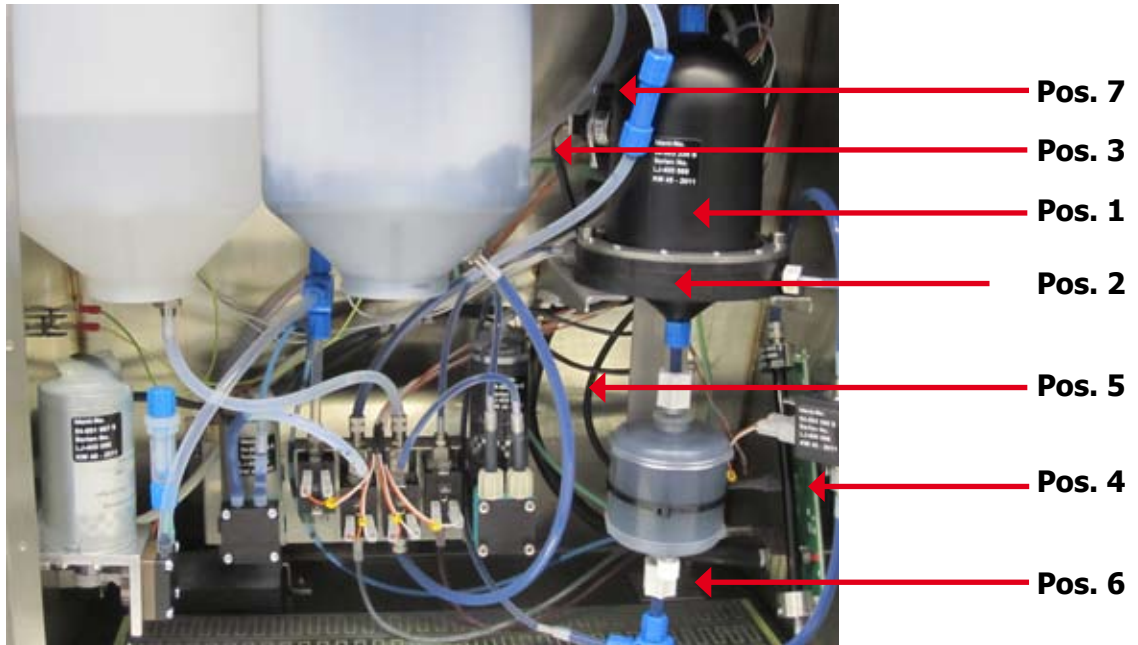
Pos.	Description	Part-number
4	Valve NV 3/2 valve block	E55-005268 S



Pos.	Description	Part-number
	Anchor 3-2 cpl. for valve block	E55-005288 S
	Anchor 2-2 cpl. for valve block	E55-005286 S



## Div. parts for hydraulic



Part-number	Description	Pos.
E54-003235 S	Pressure tank plastic	1



Part-number	Description	Pos.
E55-005492 S	Pressure tank plastic, without pressure sensor	1

Pos.	Description	Part-number
3	Y-Connection cable for pressure tank-sensor system	55-004205 S

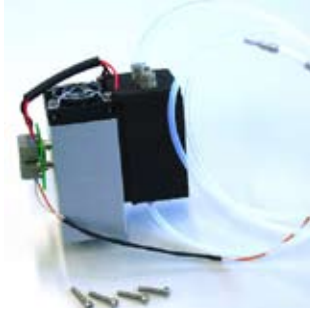


Pos.	Description	Part-number
4	Drop-ball-viscosimeter	E54-002900 S



Pos.	Description	Part-number
5	Connection cable viscosimeter	54-003255 K





Part-number	Description	Pos.
E55-004506 S	ECOsolv, solvent recovery 2	6



Part-number	Description	Pos.
55-004280 K	Pressure sensor, OEM pressure sensor module	7



## Tubes and accessories

Description	Part-number
Tube adapter Ø 2/4	54-002329 T



Description	Part-number
Tube adapter for tube, extension Ø 2/4 mm	54-003574 T



Pos.	Description	Part-number
1	Tube thread joint M5 for tube Ø 4/6	54-002777 T
2	Nut for threaded hose coupling drop ball viscosimeter	54-003322 T



Pos.	Description	Part-number
5	Plastic tube PUN 6x1-blue Minimum order quantity: 10 m	55-004280 K

**! Rinse tubes before installation !**





Part-number	Description
54-002328 K	Tube Ø 2/4, teflon/PTFE Minimum order quantity: 10 m
54-002332 K	Tube Ø 4/6, teflon/PTFE Minimum order quantity: 10 m
54-002330 K	Tube Ø 4/6, PE Minimum order quantity: 10 m

**! Rinse tubes before installation !**



Part-number	Description
54-002324 T	Connecting part M5 for tube Ø 2/4



Part-number	Description
KTEKK10878	T-fitting quick screwing



Part-number	Description
E55-005562 S	Suction tube

Description	Part-number
Connecting port	E55-006003 SA



# Filter

---



Part-number	Description
54-001990 K	Suction filter (air filter) for compressor



Part-number	Description
E55-005452 S	Main filter cpl., pre-mounted

# Tanks

Description	Part-number
Solvent reservoir tank cpl.	E55-005188 S



Description	Part-number
Ink reservoir tank cpl.	E55-005190 S



Description	Part-number
Screw cap for reservoir tank	55-004337 K



Description	Part-number
Label „Ink“ for screw cap	55-005553 K



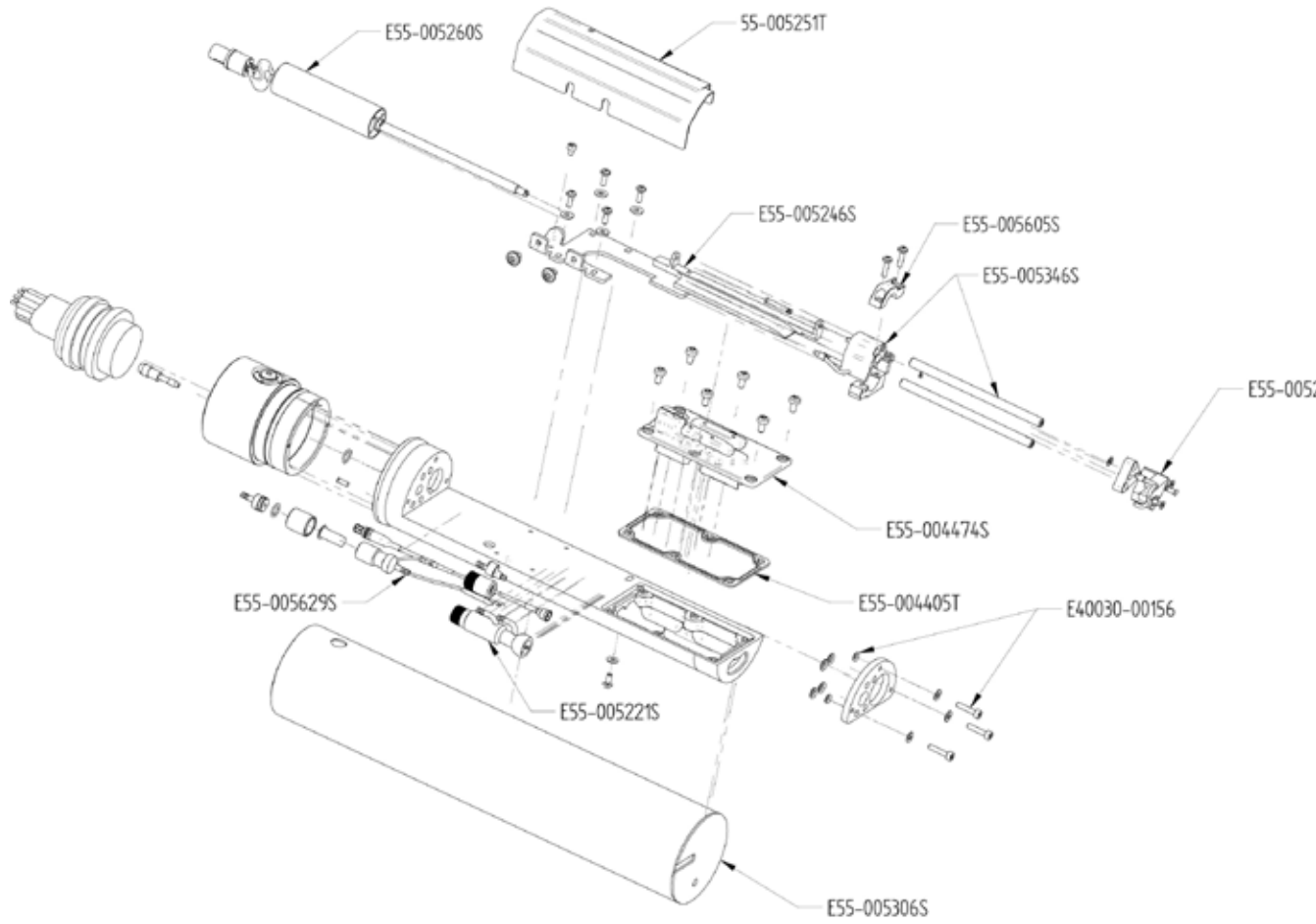


Part-number	Description
55-005554 K	Label „Solvent“ for screw cap

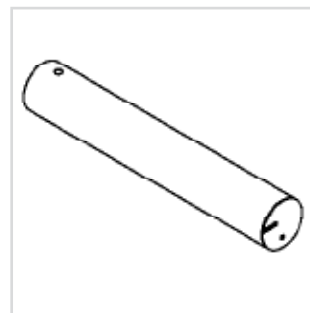


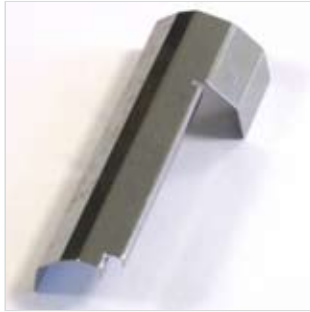
Part-number	Description
55-005411 K	Warning label (yellow), english

# Print head



Description	Part-number
Print head cover, SK6 Ø 43 mm	E55-005306 S

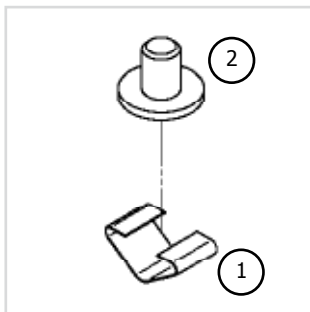




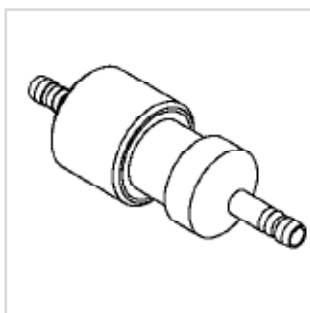
Part-number	Description	Pos
E55-005251 S	Inner cover SK6	1



Part-number	Description
E55-004482 S	Push button cpl. for SK4/SK6



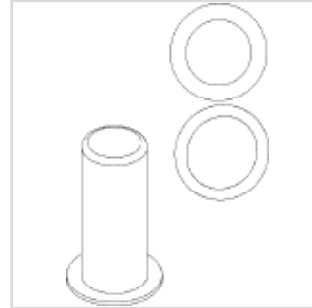
Part-number	Description	Pos
55-004246 K	Engage-spring single contact GK2	1
55-004402 S	Flange head screw, TufLok coated 360°	2



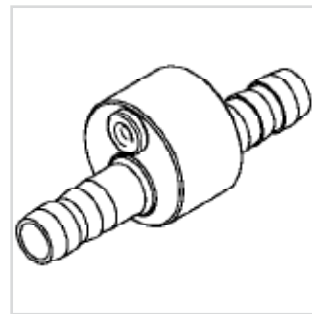
Part-number	Description
E55-004478 S	Print head filter cpl., SK4/ SK6

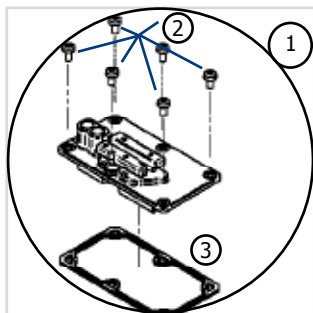


Description	Part-number
Filter element for head filter incl. O-Rings, SK4/ SK6	E54-003088 S

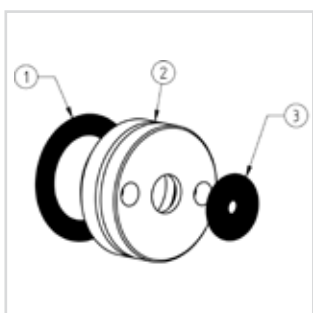


Description	Part-number
Suction sensor cpl. for SK4/SK6	55-004477 S

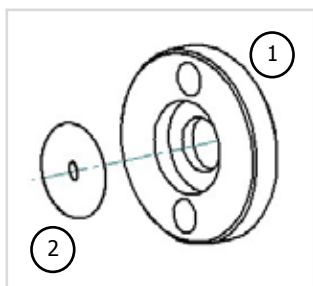




Part-number	Description	Pos
E55-004571 S	Electrode block SK6 cpl., (for 70 $\mu$ nozzle)	1
40065-00002	Lens head screw with inside cog M 2,5x5 Minimum order quantity: 10 pieces	2
55-004405 T	Flat seal for electrode block SK4	3



Part-number	Description	Pos
54-003125	O-Ring Minimum order quantity: 10 pieces	1
E55-005560 S	Nozzle 70 $\mu$ m cpl., SK6	2
54-000771 K	O-Ring for nozzle Minimum order quantity: 10 pieces	3



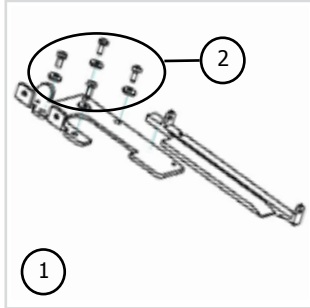
Part-number	Description	Pos
E55-005220 S	Retaining plate for nozzle, SK6	1
54-000771 K	O-Ring for nozzle, 1,5x1,0 Minimum order quantity: 10 pieces	2



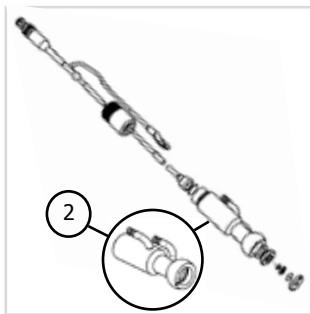
Part-number	Description	Pos
E55-005629 S	Oscillator cpl., with bush	1

Description	Part-number
Tension spring	E55-005364 S

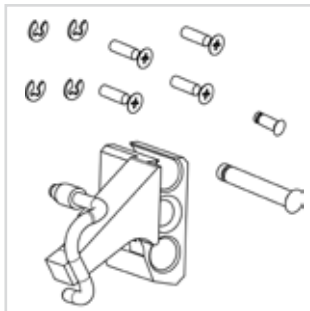




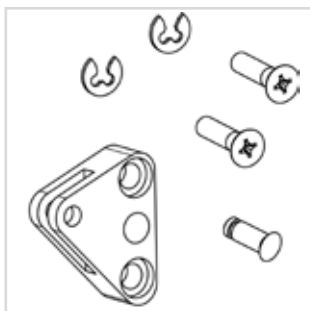
Part-number	Description	Pos
E55-005246 S	Mounting plate SK6 with fastening kit	1
E55-005633 S	Screw kit for mounting plate SK6	2



Part-number	Description	Pos
E55-005604 S	Tube cpl. with 70µ nozzle and oscillator cpl.	1
E55-005244 S	Tube base plate	2

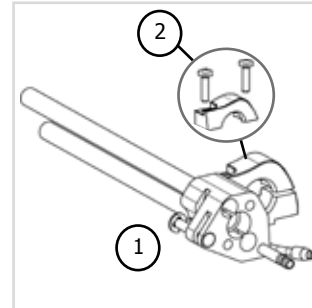


Part-number	Description	Pos
E55-005245 S	Gutter tube cpl., SK6	1

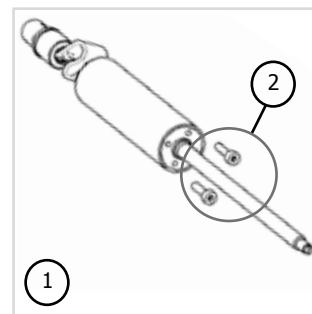


Part-number	Description	Pos
E55-005205 S	Flange with screws	1

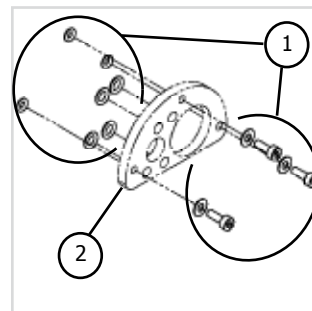
Pos.	Description	Part-number
1	Tube mounting SK6 with with guide shafts	E55-005346 S
2	Clamping element for tube SK6	E55-005605 S
2	Screw M2 x 8 Minimum order quantity: 10 pieces	40065 - 00098



Pos.	Description	Part-number
1	Engine cpl. SK6	E55-005260 S
2	Cylinder screw I-6kt DIN 912 A2 M2x8	40030-00035



Pos.	Description	Part-number
1	Fastening set seal plate SK4/SK6	E55-004700 S
2	Seal plate	55-004223 S



Description	Part-number
Print head mechanics SK6 without nozzle and oscillator	E55-005259 S





Part-number	Description
E55-005607 S	Print head SK6 cpl., with 3m umbilical, 70µ



Part-number	Description
E55-005606 S	Print head chassis SK6 with electronics and umbilical 3m

# Tools

Description	Part-number
Nozzle key	E55-005548 S



Description	Part-number
Allen key SW 1,5 mm	55-004501 K



Description	Part-number
Allen key (golf ball head) SW=1,5	54-003372 K



Description	Part-number
Torque Allen key - Torque Vario-S 0,1-0,6 Nm	55-004557 K

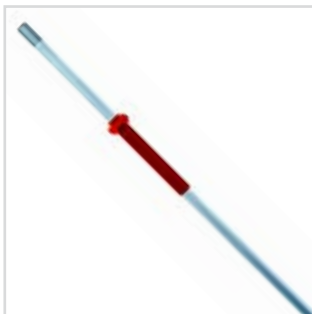




Part-number	Description
55-004559 K	Blade for Torx T 8



Part-number	Description
55-004558 K	Cross head screw blade PH 1 for Torque Allen key



Part-number	Description
55-004701 K	Allen key blade SW 1,5 for Torque Allen key



Part-number	Description
55-004702 K	Allen key (golf ball head) blade SW 1,5 for Torque Allen key



Description	Part-number
Special flat nose plier for proper adjusting of the gutter tube	54-002814 T



Description	Part-number
Flat nose plier to attach tubes	55-004932 T



Description	Part-number
Tube remover - small	55-005001 T
Tube remover - big	55-005002 T

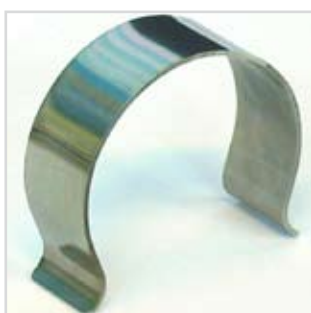




Part-number	Description
55-005003 T	Special key for connecting sockets of the main pump



Part-number	Description
55-005004 K	Standard round-nose pliers (for inner tube expansions before attaching)



Part-number	Description
55-004502 S	Service clip

## Other accessories

Description	Part-number
Touch-display pen Minimum order quantity: 10 pieces	54-002763 S



Description	Part-number
Mains filter / spike arrestor	54-003936 K



Description	Part-number
Work coat with „Leibinger“ logo, Size: 46	54-002815 K
Work coat with „Leibinger“ logo, Size: 48	54-003883 K
Work coat with „Leibinger“ logo, Size: 50	54-003884 K
Work coat with „Leibinger“ logo, Size: 52	54-003885 K
Work coat with „Leibinger“ logo, Size: 54	54-003886 K
Work coat with „Leibinger“ logo, Size: 56	54-003887 K



Description	Part-number
Leibinger Polo Shirt black, Size: S	55-004691 K
Leibinger Polo Shirt black, Size: M	55-004692 K
Leibinger Polo Shirt black, Size: L	55-004693 K
Leibinger Polo Shirt black, Size: XL	55-004694 K





Part-number	Description
54-002334 K	Universal bench vice



# Index

## Symbole

2/2 Wege-Ventil 30

## A

Absaugsensor 42  
 Achse für Lagerbock 45  
 Adapterplatte Verstellschlitten 13  
 Ansaugfilter Kompressor 37  
 Anschlussleitung Absaugsensor 42  
 Anschlussstück Schlauch 35  
 Anschlussstutzen 35  
 Arbeitsmantel 52  
 Aufkleber 38-39

## B

Blitz JETvisio 57  
 Blitz JETvisio, optional 54

## C

Controller 22

## D

Data-Matrix Lizenz JETvisio 56  
 Dichtungsplatte 46  
 Diffuser Reflektor JETvisio 56  
 Drehgeber 7  
 Drehgeber-Kupplung 8  
 Drehgeber-Meßrad 8  
 Drehmoment Schraubendreher 48  
 Druckbehälter 31  
 Drucksensor 33  
 Düse 43

## E

ECOsolv 5  
 Ecosolv Nachrüstsatz 33  
 Einrast-Feder 41  
 Elektrodeneinheit 43  
 Erdungskabel 11  
 Ethernet Kabel 16  
 Ethernetkabel JETvisio 58  
 Ethernetkabel RJ45-M12D, JETvisio 59

## F

Fängerrohr 45  
 Farbfilter JETvisio 55  
 Faseroptischer Sensor 9  
 Filtereinsatz Kopffilter 42  
 Filterelement 37

## G

Gerätestände 15  
 Grundplatte 45  
 Gummibläser 18

## H

Halterung Drehgeber 8  
 Halterung JETvisio 58  
 Halterung Produktsensoren 10  
 Händlerkoffer JETvisio 56  
 Handschuhe 18  
 Hauptpumpe 26

## I

Inbusschlüssel 48  
 Innenhaube 41  
 Interfacebox JETvisio 57  
 Interfacemodul 24  
 Interface-Modul 4

## J

JETedit3 20

## K

Kabelbaum kompl. JETvisio 58  
 Kabelführung 14  
 Kamera JETvisio (ohne Objektiv) 57  
 Klinge 49  
 Kompressor 27  
 Kontrasttaster 9  
 Kopfbelüftung 4  
 Kopfbelüftung Nachrüstsatz 27  
 Kopfhassias 47  
 Kopffilter 41  
 Kopfhalterung 12  
 Kopfhaube 40  
 Kopfleitung 4  
 Kreuzklemmstück 13  
 Kugelfallviskosimeter 32  
 Kupplungsstecker 11

## L

Lagerbock 44  
 Leckagesensor 24  
 Lithium-Batterie 24

## M

Magnetventil 29  
 Motor 46

## N

Nachrüstsatz nicht pigm. 33  
 Netzfilter 52  
 Netzkabel 24

## O

Objektiv JETvisio 57  
 Objektiv JETvisio, 25 mm, optional 54

## P

Polfilter JETvisio 55  
 Polo-Shirt 52  
 Produktsensor 9

## R

Reinigungspapier 17  
 Reinigungsset 17  
 Reinigungsstation Untergestell 17  
 Remote Control Software 20  
 Reparaturkit Doppelkolbenp. 28  
 Reparaturkit Hauptpumpe 28  
 Reparaturkit Saugpumpe 28

## S

Saugpumpe 26  
 Säulenverbindung 46  
 Schaltnetzteil 23  
 Schiebeteisch 13  
 Schlauch 35  
 Schlauchadapter 34  
 Schlauchstütze 90° 36  
 Schlauchverschraubung 34  
 Schraubdeckel Vorratstank 38  
 Schreibkopfmechanik 46  
 Schutzbrille 18  
 Schwinger 43-44  
 Schwingerkabel 42  
 Sensor JETvisio 55  
 Service Kit 19  
 Serviceklammer 51  
 Servicekopfhabe 48  
 Signalleuchte 15  
 Spannschraube 44  
 Stabmikroskop 18  
 Steckschlüssel 48  
 Stirnlochschlüssel 50

## T

Taster 41  
 Touch Display 23  
 Touch-Display Stift 52  
 Trennmembran 32  
 T-Stück Schnellversch. 35  
 Tubus 45

## U

Ultraschall-Reinigungsgerät 19  
 Universalbodenstativ 14  
 Universal Schraubstock 53  
 Untergestell 15  
 Untergestell fahrbar 15

## V

Ventilator 5  
 Ventilblock 29  
 Ventilstößel 30  
 Verbindungskabel 16  
 Verbindungskabel JETvisio 59  
 Verbindungsleitung Schaltnetzteil 23  
 Verstellschlitten 12  
 Viskometer Anschlusskabel 32  
 Viskopumpe 27  
 Vorratstank Tinte 38  
 Vorratstank Verdünner 38

## W

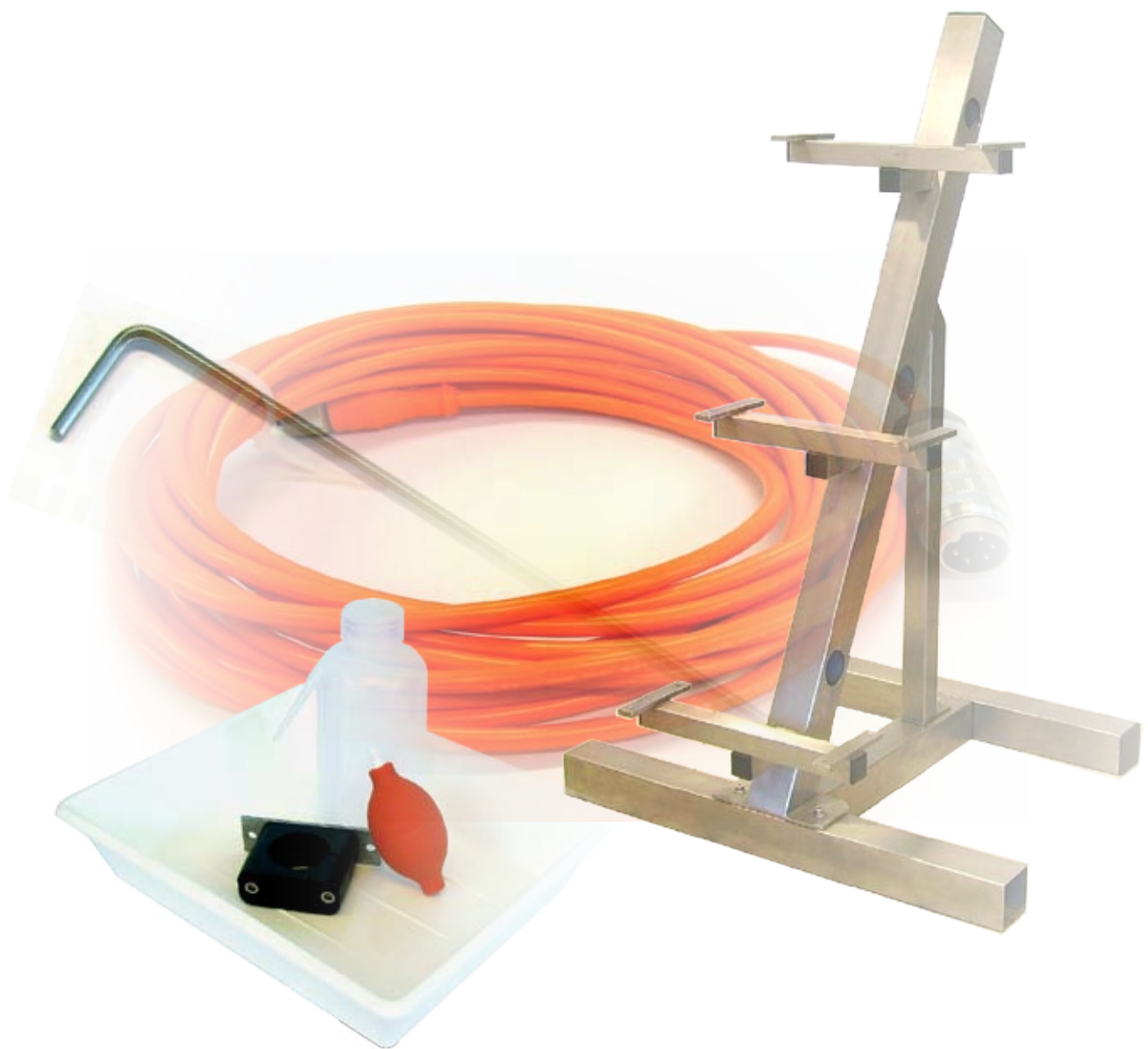
Wartungsset 17

## Y

Y-Anschlusskabel 32

## Z

Zugfeder 44



**LEIBINGER**

Paul Leibinger GmbH & Co. KG  
Daimlerstr. 14  
D-78532 Tuttlingen  
Tel. +49 (0) 74 61 / 92 86 - 0  
Fax +49 (0) 74 61 / 92 86 - 199

[www.leibinger-group.com](http://www.leibinger-group.com)  
[info@leibinger-group.com](mailto:info@leibinger-group.com)



#### Ordering

Nicole Buchal  
Tel.: +49 (0) 74 61 / 92 86 - 251  
Fax +49 (0) 74 61 / 92 86 - 199  
[nbuchal@leibinger-group.com](mailto:nbuchal@leibinger-group.com)

Frank Drescher  
Tel.: +49 (0) 74 61 / 92 86 - 248  
Fax +49 (0) 74 61 / 92 86 - 199  
[fdrescher@leibinger-group.com](mailto:fdrescher@leibinger-group.com)